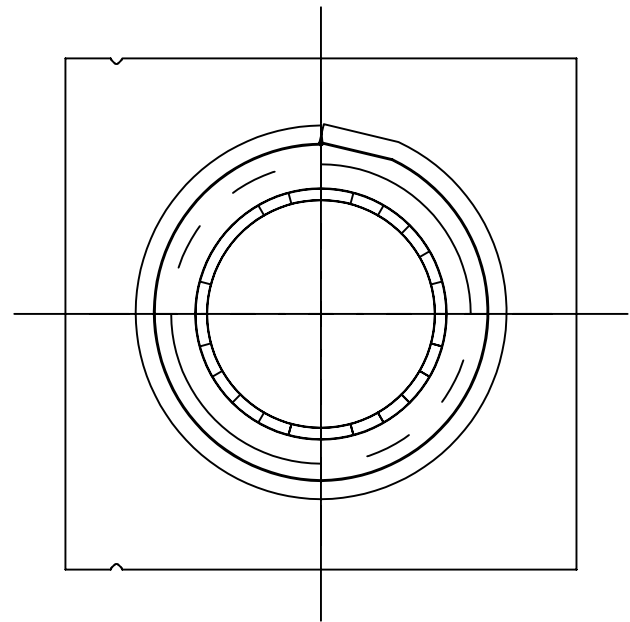
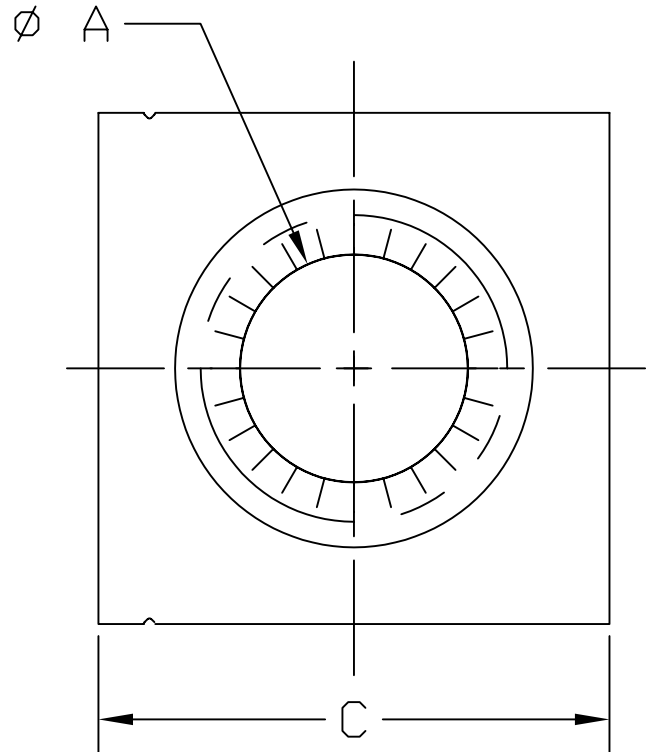
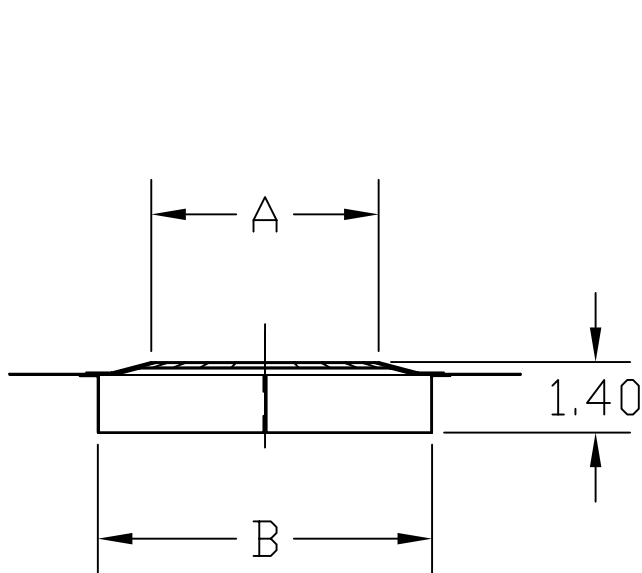


• MATERIAL: GALVANIZED STEEL



PART NO.	SIZE	B	C S.Q.
3RGS	3.50"	5.50"	9.00"
4RGS	4.50"	6.50"	10.00"
5RGS	5.50"	7.50"	11.00"
6RGS	6.50"	8.50"	12.00"

JOB NAME: _____
 LOCATION: _____
 ARCHITECT: _____
 ENGINEER: _____
 CONTRACTOR: _____

SUBMITTED BY:

DATE: 2/28/2005

SD-3139

B-Vent

Firestop & Support Assembly

RGS

Diameters 3"-6"