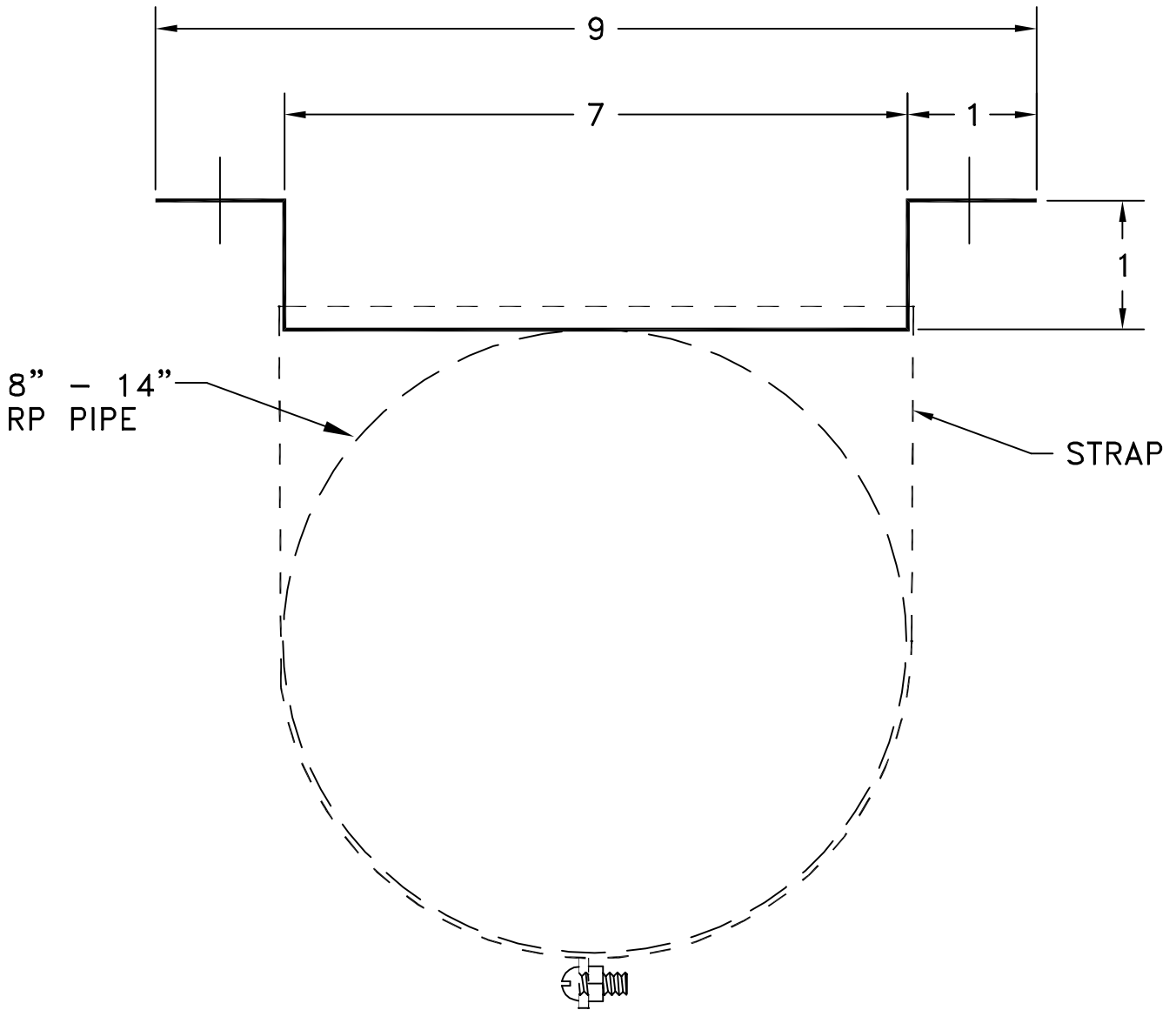


- MATERIAL:
 - .062 THICK, GALVANIZED STEEL
- PERFORATED PIPE STRAP BY OTHERS



JOB NAME: _____	SUBMITTED BY: _____	DATE: 11/21/02	SD-3129
LOCATION: _____		Type B Gas Vent Wall Bracket RWB 8" - 14" Diameter	
ARCHITECT: _____			
ENGINEER: _____			
CONTRACTOR: _____			