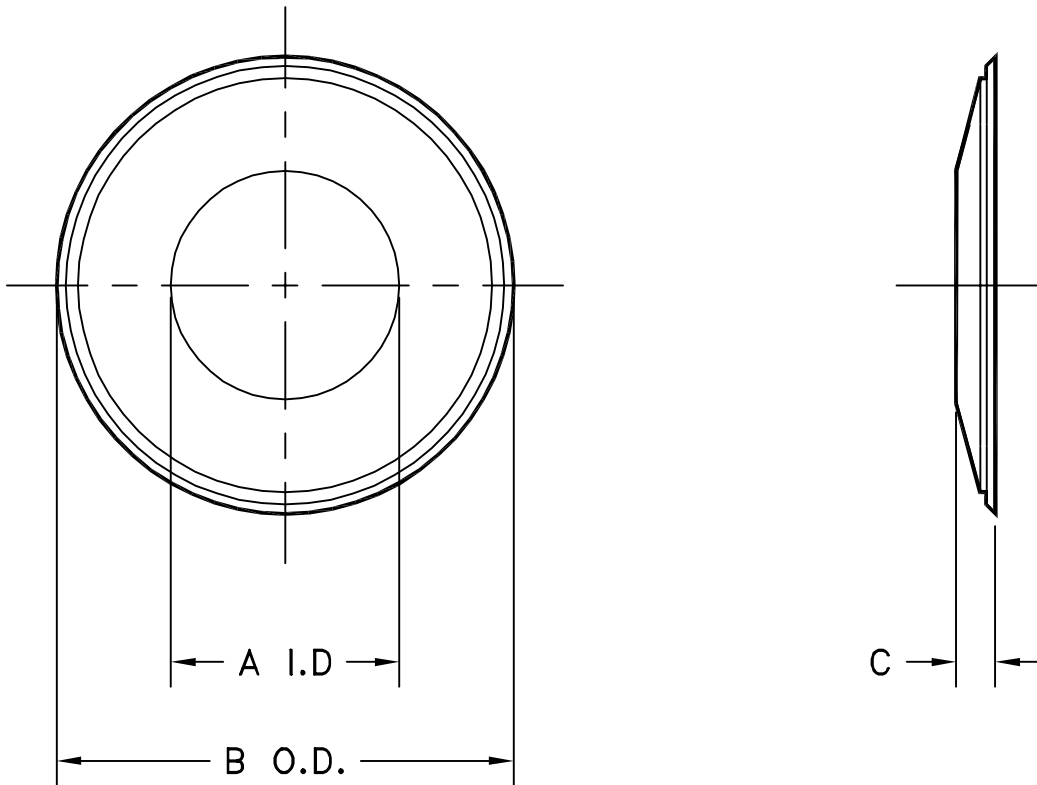


- MATERIAL:
 - .018 THICK, G-90 GALVANIZED STEEL



CAT. NO.	A I.D.	B O.D.	C
3RPC	3 9/16	8 3/4	1/8
4RPC	4 9/16	8 3/4	1/8
5RPC	5 9/16	10 3/4	3/16
6RPC	6 9/16	10 3/4	3/16
7RPC	8 1/16	12 1/2	1/8
8RPC	9 1/16	14	1/8



JOB NAME: _____	SUBMITTED BY: _____	DATE: 2/17/03	SD-3122
LOCATION: _____		Type B Gas Vent	
ARCHITECT: _____		Pipe Collar	
ENGINEER: _____		RPC	
CONTRACTOR: _____		3" - 8" Diameter	