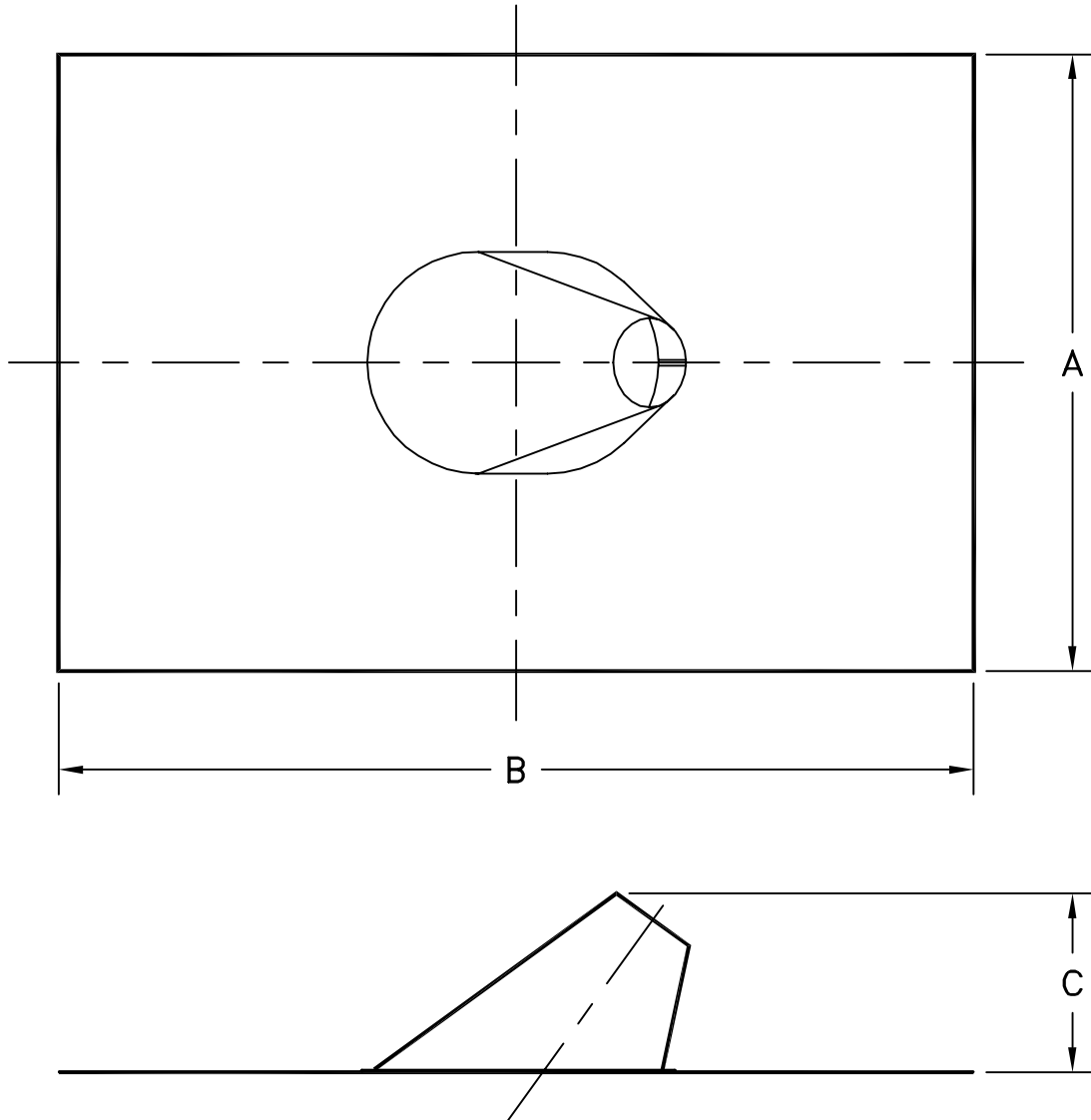


- MATERIAL:
PLATE AND CONE - .018 THICK, G-90 GALVANIZED STEEL
- FOR ROOF PITCHES FROM 6/12 TO 12/12



CAT. NO.	A	B	C
3RFA	15 1/8	17 15/16	6 3/4
4RFA	15 1/8	17 15/16	5 1/2
5RFA	17	22 5/8	8 1/2
6RFA	17	22 5/8	7 5/8
7RFA	21 3/4	21 7/8	9
8RFA	23 1/4	23 1/4	10

JOB NAME: _____	SUBMITTED BY: _____	DATE: 2/17/03	SD-3117
LOCATION: _____		Type B Gas Vent	
ARCHITECT: _____		Adjustable Flashing	
ENGINEER: _____		RFA	
CONTRACTOR: _____		3" - 8" Diameter	