

# Model CV

# Installation Instructions

## Adjustable Section

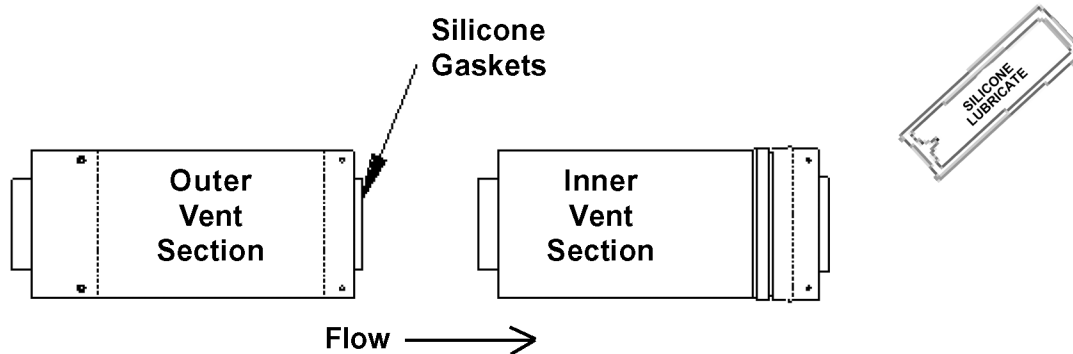
**PLEASE READ AND UNDERSTAND THE REQUIREMENTS BEFORE PROCEEDING**

The Model CV adjustable section serves as a variable length between other components when specific lengths cannot be utilized. The installed length is 12½" to a maximum of 19½".

### INSTALLATION PROCEDURE

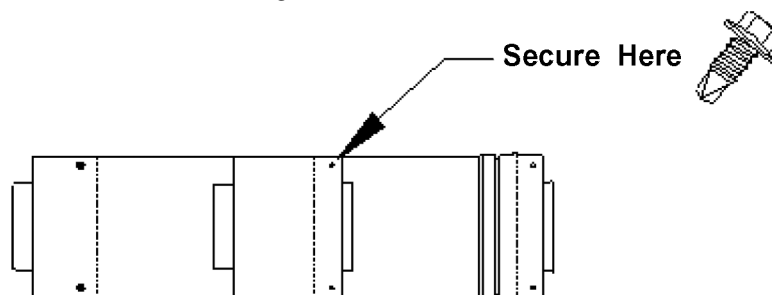
The adjustable assembly consists of the female inner vent, the male outer vent, a packet of self-tapping screws, an alcohol pad, and a packet of silicone lubricant.

**STEP 1** Before assembling, lightly moisten both gaskets in the outer vent section with the silicone provided.

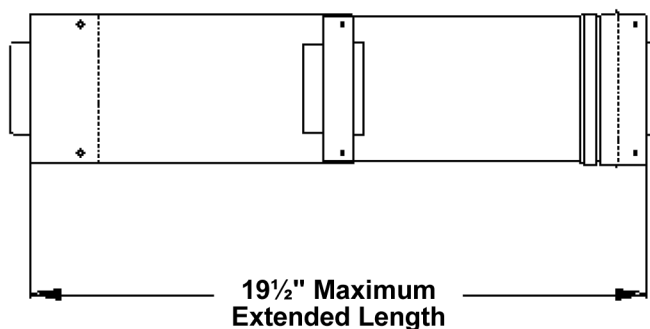


**STEP 2** Slide the inner vent into the outer vent to the desired overall length.

**STEP 3** Connect the two sections at the holes in the outer jacket. Use the self-tapping screws provided. If using a variable torque drill, use a low torque setting to install the screws in order not to strip out the holes. Do not apply pressure on the drill when installing screws.



**STEP 4** Install the completed adjustable section, per the assembly instructions in the Model CV installation instructions (Form No. 851385). Use appropriate supports where needed.



Hart & Cooley, Inc. 616.656.8200 p  
5030 Corporate Exchange Blvd. SE 616.656.6399 f  
Grand Rapids, MI 49512  
info@hartcool.com  
www.hartandcooley.com