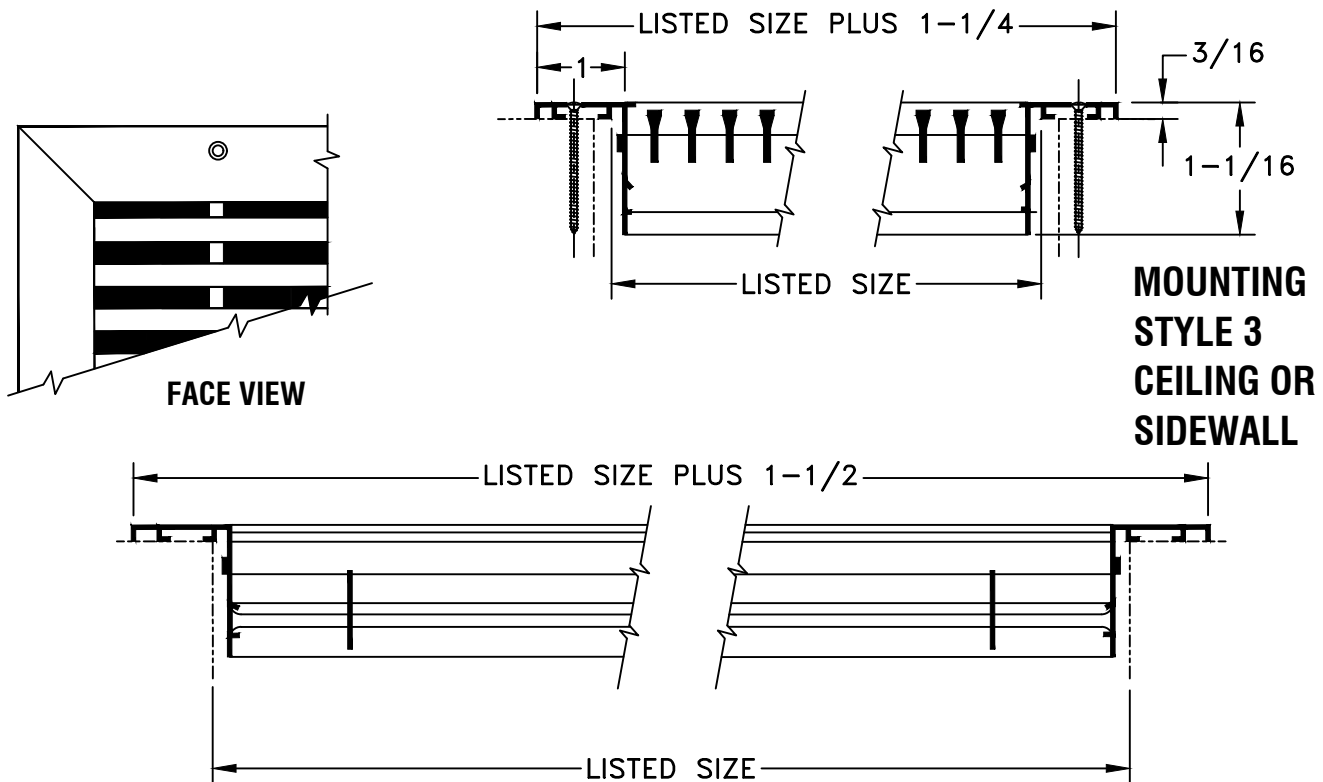
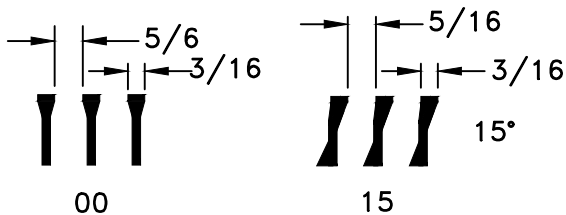


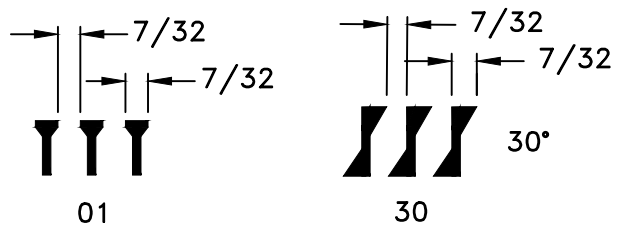
- EXTRUDED ALUMINUM CONSTRUCTION
- MINIMUM SIZE: 4 LONG X 2 WIDE ONE PIECE CONSTRUCTION
- MAXIMUM SIZE: 72 LONG X 24 WIDE ONE PIECE CONSTRUCTION
- WIDTH DIMENSION IN 1/2 INCH INCREMENTS ONLY
- LENGTHS OVER 72 INCHES ARE MULTIPLE SECTIONS WITH KEYWAY SPLICES
- FURNISHED WITH COLOR MATCHED
- #6 X 1-1/2 CROSS RECESS OVAL HEAD C'SINK SHEET METAL SCREW
- FINISH: WHITE (W) OR SATIN ANODIZED (SA)



### FACE BARS - 1/2 INCH CENTERS



### FACE BARS - 7/16 INCH CENTERS



JOB NAME: \_\_\_\_\_

LOCATION: \_\_\_\_\_

ARCHITECT: \_\_\_\_\_

ENGINEER: \_\_\_\_\_

CONTRACTOR: \_\_\_\_\_

SUBMITTED BY: \_\_\_\_\_

DATE: 09/05/2019 SD-9823

**LS SERIES**  
Linear Grilles With Standard  
Screwholes In Margin  
Mounting Style 3