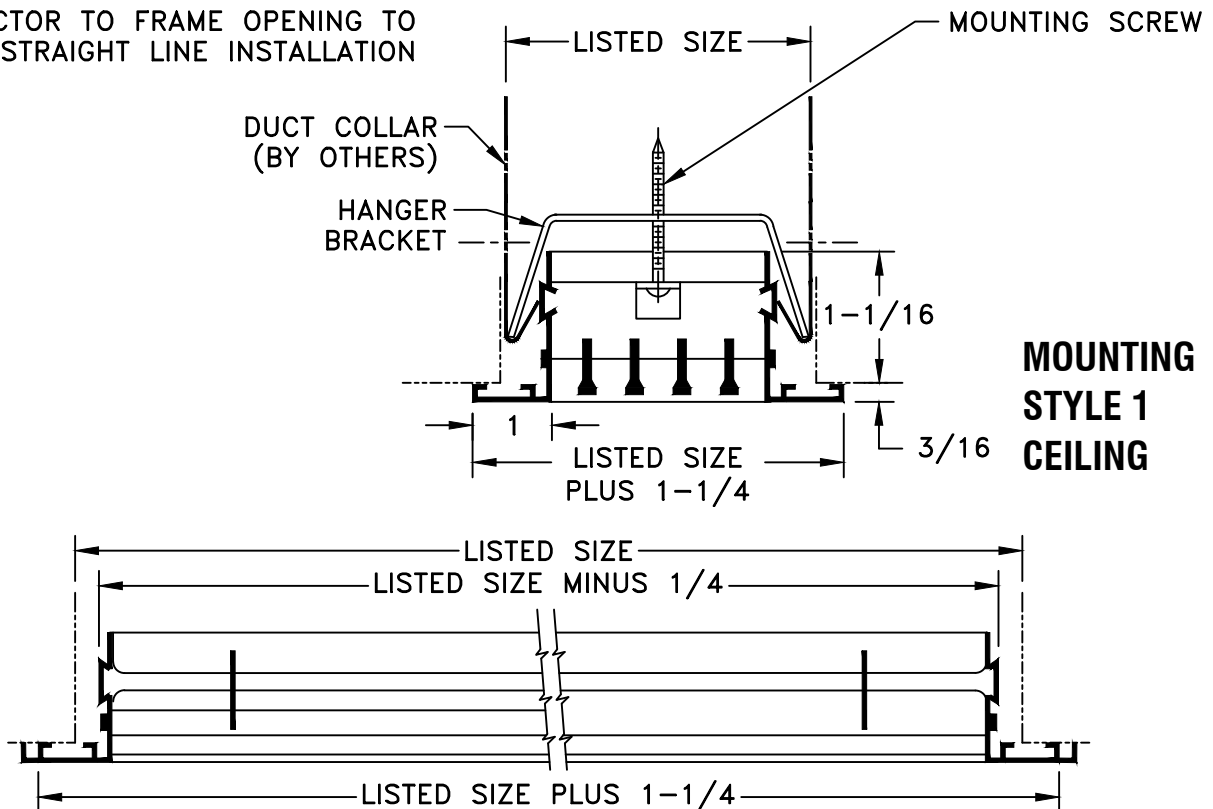


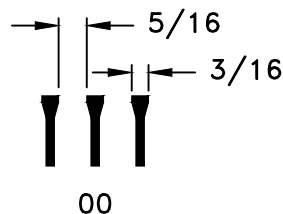
- EXTRUDED ALUMINUM CONSTRUCTION
- MINIMUM SIZE: 4 LONG X 2 WIDE ONE PIECE CONSTRUCTION
- MAXIMUM SIZE: 72 LONG X 24 WIDE ONE PIECE CONSTRUCTION
- WIDTH DIMENSION IN 1/2 INCH INCREMENTS ONLY
- LENGTHS OVER 72 INCHES ARE MULTIPLE SECTIONS WITH KEYWAY SPLICES
- DAMPERS, WHEN SPECIFIED, SHOULD BE DUCT MOUNTED
- FOR DAMPERS AND DIMENSIONS SEE SD-9825
- FINISH: WHITE (W) OR SATIN ANODIZED (SA)

CONTRACTOR TO FRAME OPENING TO INSURE STRAIGHT LINE INSTALLATION



**MOUNTING
STYLE 1
CEILING**

FACE BARS - 1/2 INCH CENTERS



THIS BAR STYLE
ONLY WHEN USING
MOUNTING STYLE 1.

JOB NAME: _____
 LOCATION: _____
 ARCHITECT: _____
 ENGINEER: _____
 CONTRACTOR: _____

SUBMITTED BY:

DATE: 09/05/2019 | SD-9821

LS SERIES
 Linear Grilles With Yoke
 Type Concealed Mounting
 Mounting Style 1