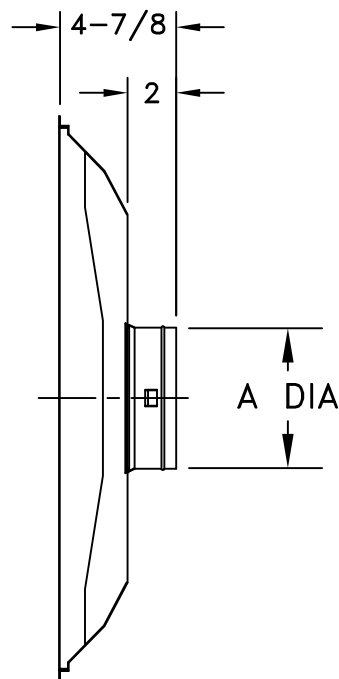
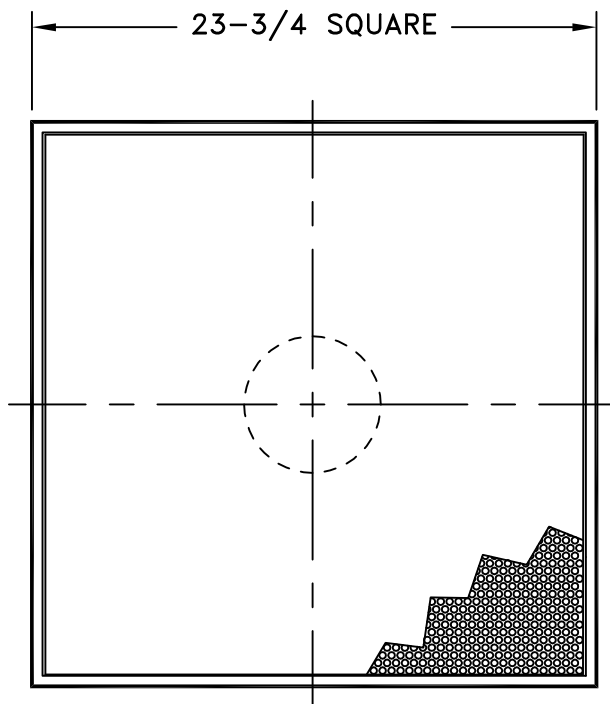
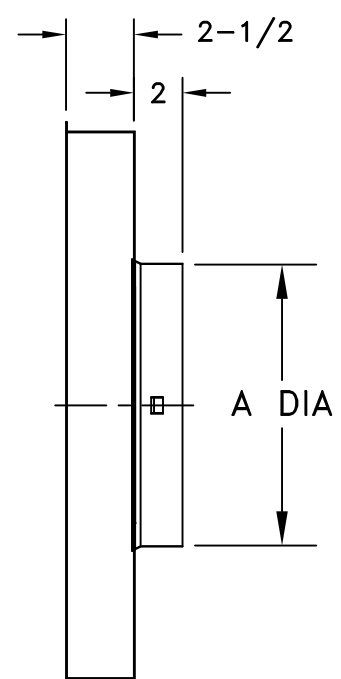


- ALUMINUM FACE FITS STANDARD 2' X 2' T-BAR CEILING SYSTEMS
- AVAILABLE IN 6-18 INCH COLLAR SIZES
- OPTIONAL ADJUSTABLE NO. 3800 STEEL BUTTERFLY DAMPER AVAILABLE FOR ALL SIZES
- HINGED/LATCHED FACE ALLOWS FOR EASY ACCESS TO DAMPER
- MATCHING ACBPS SUPPLY AVAILABLE
- EARTHQUAKE TAB OPTION AVAILABLE AS MODEL CBPR-EQ
- FINISH: WHITE (W) ENAMEL ON FACE AND BACK

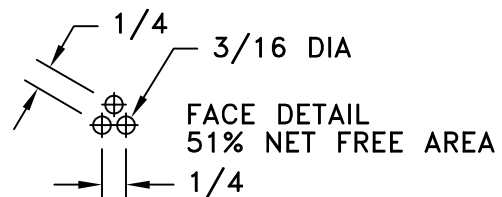


6-14
NECK SIZE



16
NECK SIZE

| SIZE | A DIA |
|------|--------|
| 6 | 5-7/8 |
| 8 | 7-7/8 |
| 10 | 9-7/8 |
| 12 | 11-7/8 |
| 14 | 13-7/8 |
| 16 | 15-7/8 |



| | | | |
|-------------------|---|------------------|-----------|
| JOB NAME: _____ | SUBMITTED BY: _____ | DATE: 05/27/2015 | SD-9420-A |
| LOCATION: _____ | ACBPR RETURN Aluminum Removable Face Perforated Grille | | |
| ARCHITECT: _____ | | | |
| ENGINEER: _____ | | | |
| CONTRACTOR: _____ | | | |