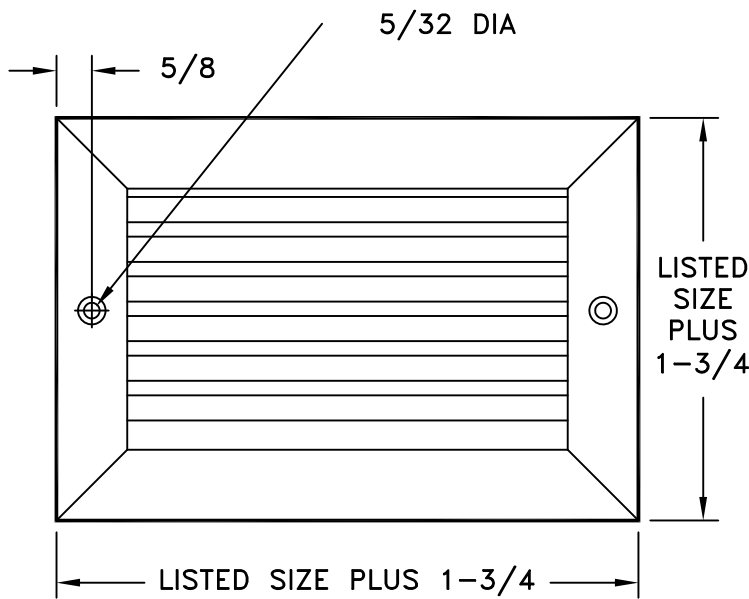
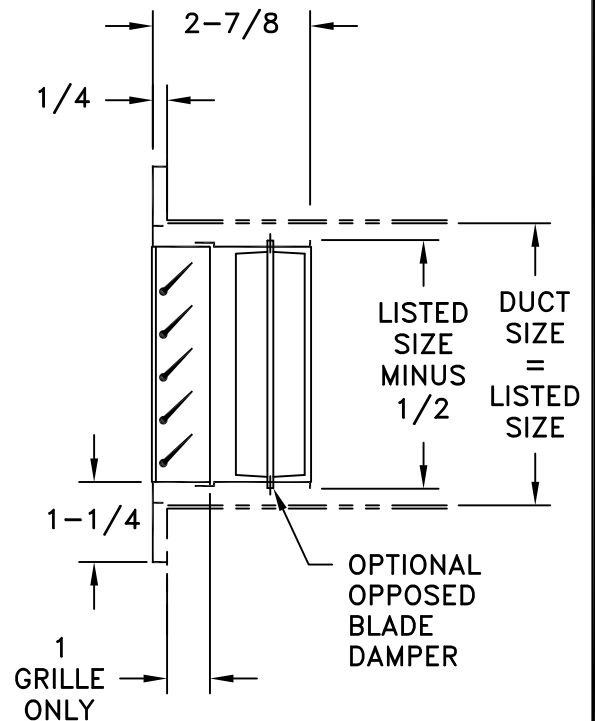




- EXTRUDED ALUMINUM CONSTRUCTION
- BARS ON 3/4 INCH CENTERS
- SCREW HOLE LOCATIONS STANDARD UNLESS OTHERWISE SPECIFIED
- WALL OR DUCT OPENING SHOULD BE DUCT SIZE +/- 1/8"
- MINIMUM SIZE: RH45 4 X 4 RHD45 4x6
- MAXIMUM SIZE: 48 X 48 ONE PIECE CONSTRUCTION
- AVAILABLE IN 1/4 INCH INCREMENTS
- FINISH: WHITE (W) ENAMEL OR SATIN ANODIZED (SA)



**RH45LF REGISTER**



**RHD45LF REGISTER**

NOTE: All dimensions are +/- 1/16"

JOB NAME: _____	SUBMITTED BY: _____	DATE: 10/04/2018	SD-9131
LOCATION: _____	<b>RH45LF/RHD45LF</b> Extruded Aluminum Fixed Horizontal Face Bars		
ARCHITECT: _____			
ENGINEER: _____			
CONTRACTOR: _____			