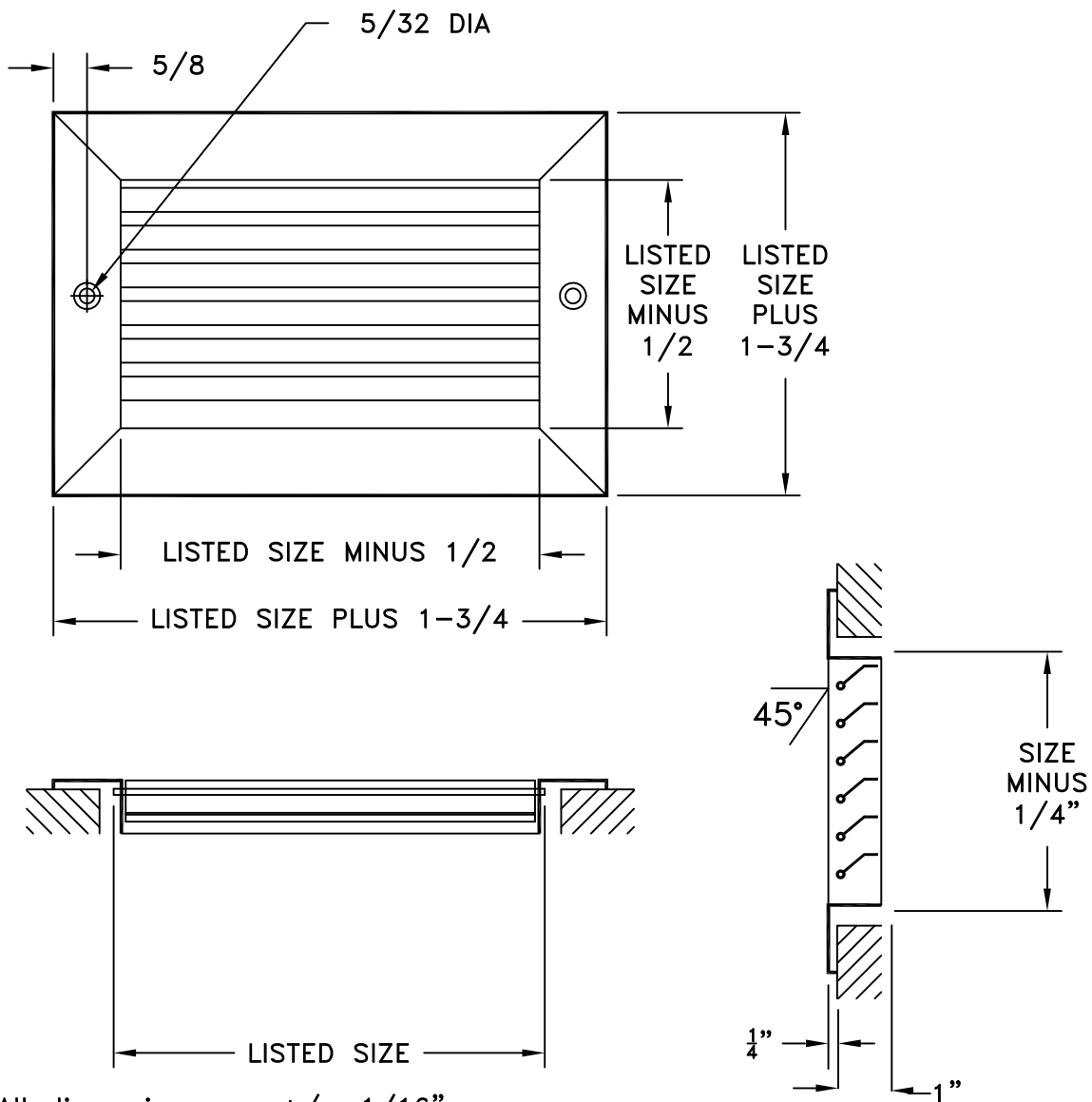


- EXTRUDED ALUMINUM CONSTRUCTION
- BARS ON 3/4 INCH CENTERS
- SCREW HOLE LOCATIONS STANDARD UNLESS OTHERWISE SPECIFIED
- WALL OR DUCT OPENING SHOULD BE DUCT SIZE $\pm 1/8$ "
- MINIMUM SIZE: RH45 4 X 4
- MAXIMUM SIZE: 48 X 48 ONE PIECE CONSTRUCTION
- AVAILABLE IN 1/4 INCH INCREMENTS
- FINISH: PAINT WHITE (W) OR PAINT ALUMINUM (AL)



NOTE: All dimensions are $\pm 1/16$ "

JOB NAME: _____	SUBMITTED BY: _____	DATE: 01/25/2019	SD-9124
LOCATION: _____		RH45	
ARCHITECT: _____		Extruded Aluminum	
ENGINEER: _____		Fixed Horizontal	
CONTRACTOR: _____		Face Bars	