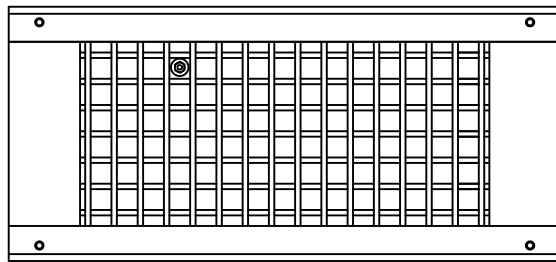
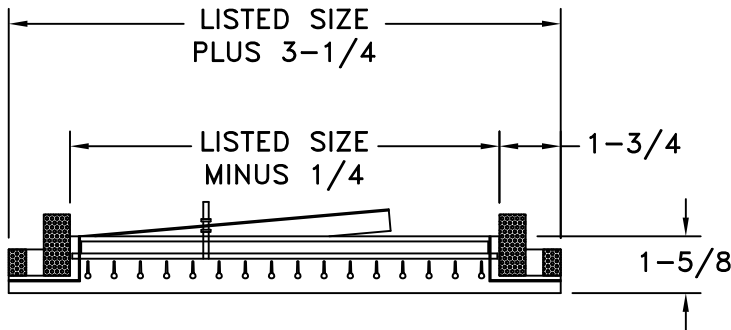
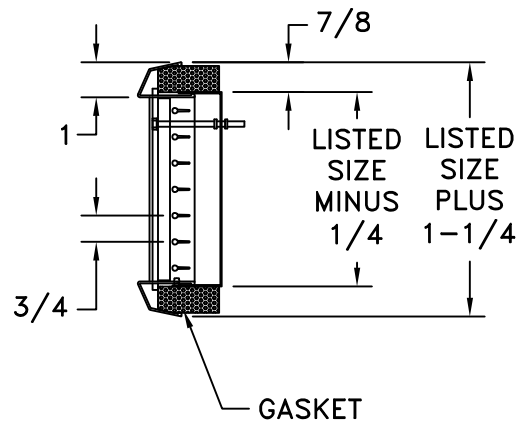


- SINGLE (VERTICAL) AND DOUBLE (VERTICAL & HORIZONTAL) DEFLECTION
- ADJUSTABLE BLADES
- GASKETS ON MARGIN
- EACH SIZE COVERS A RANGE OF SPIRAL DUCT DIAMETERS (SEE CHART BELOW)
- OPTIONAL AIR SCOOP WITH FACE SCREW ADJUSTMENT
- MINIMUM SIZE 10 X 3, MAXIMUM SIZE 36 X 10 (SEE CHART BELOW)
- FINISH: WHITE (W) ENAMEL OR SATIN ANODIZED (SA)



USVH3 SHOWN



MAXIMUM DUCT DIAMETER FOR ALL SIZES IS 36"

HEIGHT OF REGISTER	3"	4"	6"	8"	10"	
MIN: MAX DUCT DIAMETER	10" : 36"	10" : 36"	12" : 36"	20" : 36"	24" : 36"	

JOB NAME: _____	SUBMITTED BY: _____	DATE: 12/20/2018	SD-9720
LOCATION: _____	USV/USVH Single And Double Deflection Aluminum Universal Spiral Duct Diffuser		
ARCHITECT: _____			
ENGINEER: _____			
CONTRACTOR: _____			