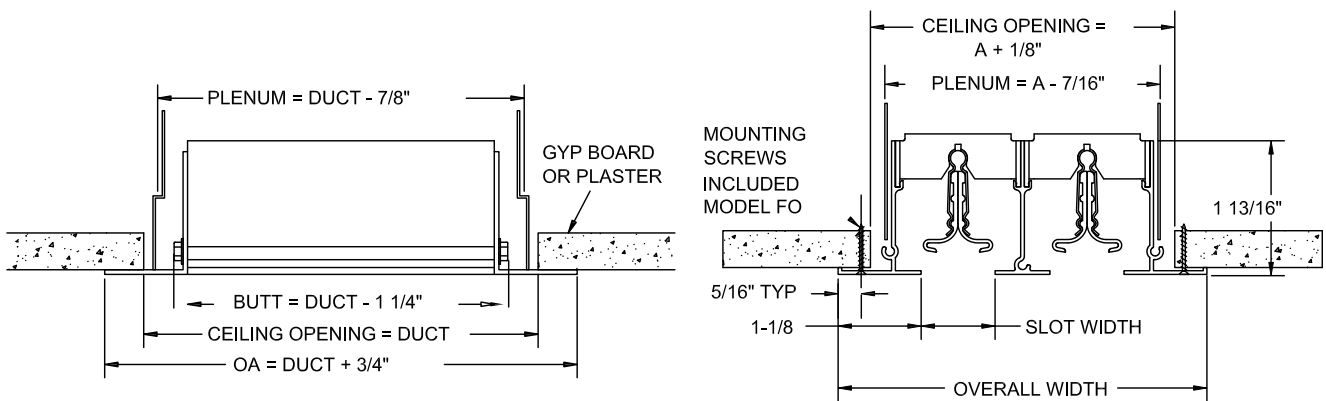


- EXTRUDED ALUMINUM CONSTRUCTION
- MINIMUM SIZE = 12 INCHES
- MAXIMUM SIZE = 72 INCHES ONE PIECE CONSTRUCTION
- MULTIPLE SECTIONS PINNED FOR PROPER ALIGNMENT
- DIFFUSERS AVAILABLE WITH ONE TO EIGHT SLOTS, WITH OR WITHOUT PATTERN CONTROLLER
- FINISH: WHITE (W) ENAMEL OR SATIN ANODIZED (SA)
- PATTERN CONTROLLER BLACK



Dimension	Slot Width	Type	Number of Slots								Duct Width	Overall Width
			1	2	3	4	5	6	7	8		
A	1/2	50	1 7/8	3 1/8	4 3/8	5 5/8	6 7/8	8 1/8	9 3/8	10 5/8	A - 7/16	A + 7/8
	3/4	75	2 1/8	3 5/8	5 1/8	6 5/8	8 1/8	9 5/8	11 1/8	12 5/8	A - 7/16	A + 7/8
	1	10	2 3/8	4 1/8	5 7/8	7 5/8	9 3/8	11 1/8	12 7/8	14 5/8	A - 7/16	A + 7/8

JOB NAME: _____	SUBMITTED BY: _____	DATE: 03/14/2017	SD-9620
LOCATION: _____		S SERIES Slot Diffuser Margin EO/FO-Surface Mount	
ARCHITECT: _____			
ENGINEER: _____			
CONTRACTOR: _____			