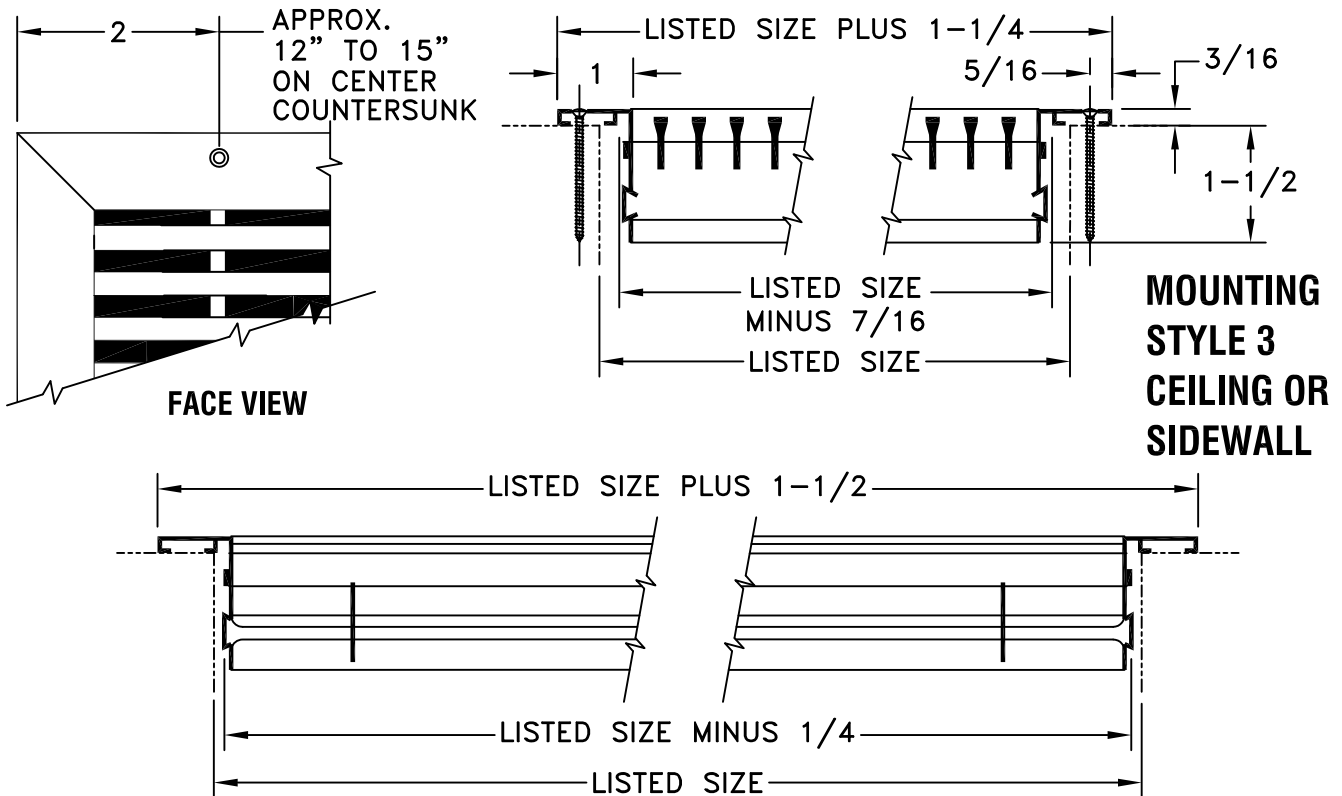
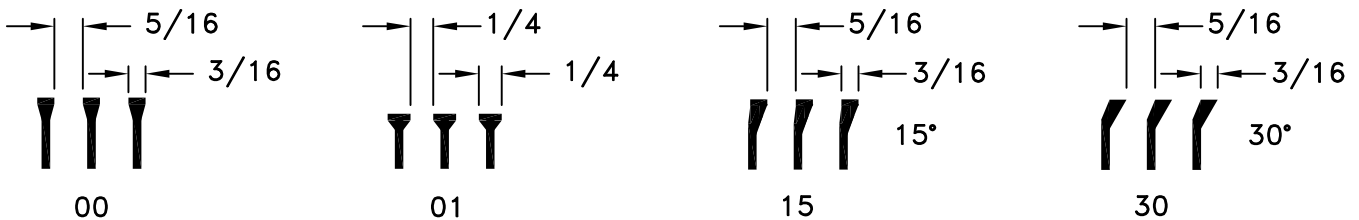


- EXTRUDED ALUMINUM CONSTRUCTION
- MINIMUM SIZE: 4 LONG X 2 WIDE ONE PIECE CONSTRUCTION
- MAXIMUM SIZE: 72 LONG X 24 WIDE ONE PIECE CONSTRUCTION
- WIDTH DIMENSION IN 1/2 INCH INCREMENTS ONLY
- LENGTHS OVER 72 INCHES ARE MULTIPLE SECTIONS WITH KEYWAY SPLICES
- FURNISHED WITH COLOR MATCHED
#6 X 1-1/2 CROSS RECESS OVAL HEAD C'SINK SHEET METAL SCREW
- FINISH: WHITE (W) OR SATIN ANODIZED (SA)



FACE BARS - 1/2 INCH CENTERS



JOB NAME: _____	SUBMITTED BY: _____	DATE: 07/27/2017	SD-9603
LOCATION: _____		LS SERIES	
ARCHITECT: _____		Linear Grilles With Standard	
ENGINEER: _____		Screwholes In Margin	
CONTRACTOR: _____		Mounting Style 3	