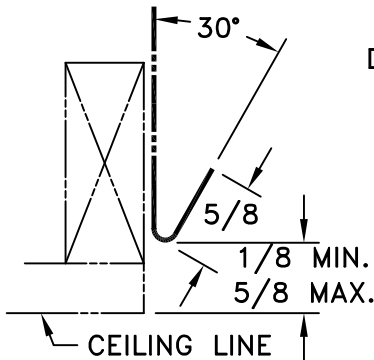
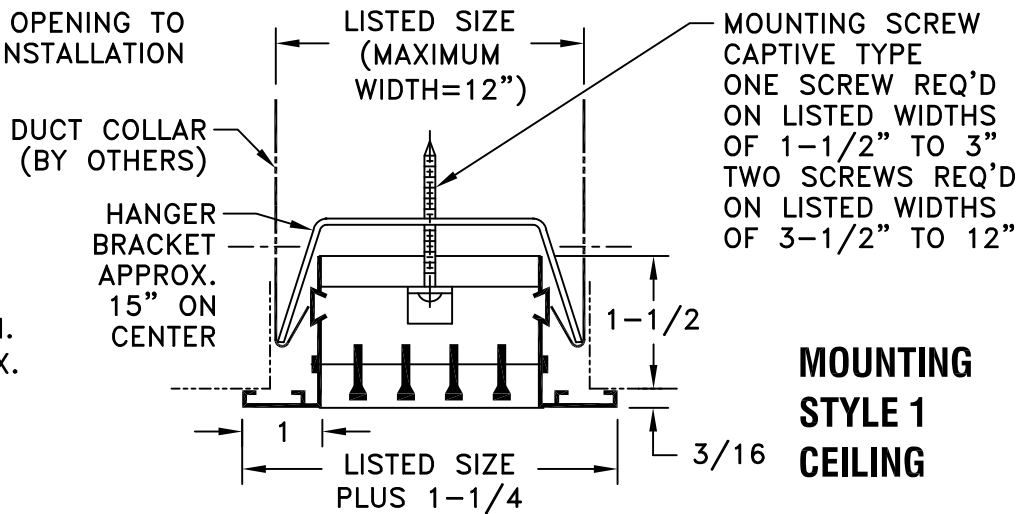


- EXTRUDED ALUMINUM CONSTRUCTION
- MINIMUM SIZE: 4 LONG X 2 WIDE ONE PIECE CONSTRUCTION
- MAXIMUM SIZE: 72 LONG X 24 WIDE ONE PIECE CONSTRUCTION
- WIDTH DIMENSION IN 1/2 INCH INCREMENTS ONLY
- LENGTHS OVER 72 INCHES ARE MULTIPLE SECTIONS WITH KEYWAY SPLICES
- YOKE HANGER AVAILABLE FOR SIZES 1-1/2 THROUGH 12 INCH ONLY
- DAMPERS, WHEN SPECIFIED, SHOULD BE DUCT MOUNTED
- FOR DAMPERS AND DIMENSIONS SEE SD-9605
- FINISH: WHITE (W) OR SATIN ANODIZED (SA)

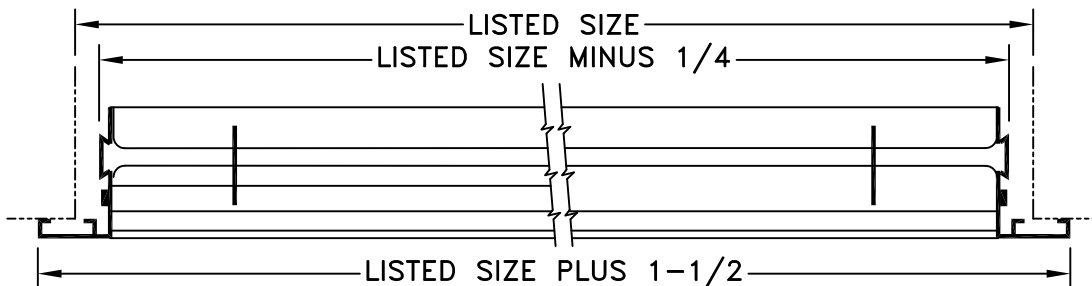
CONTRACTOR TO FRAME OPENING TO INSURE STRAIGHT LINE INSTALLATION



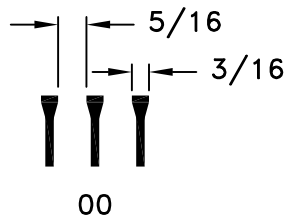
DETAIL OF HEMMED EDGE OF DUCT (BY OTHERS)



MOUNTING STYLE 1 CEILING



FACE BARS - 1/2 INCH CENTERS



THIS BAR STYLE ONLY WHEN USING MOUNTING STYLE 1.

JOB NAME: _____
LOCATION: _____
ARCHITECT: _____
ENGINEER: _____
CONTRACTOR: _____

SUBMITTED BY: _____

DATE: 07/27/2017 SD-9601

LS SERIES
Linear Grilles With Yoke
Type Concealed Mounting
Mounting Style 1