

Model SLK Installation Instructions

Stainless Steel Flexible Chimney Liner 4" to 8" Sizes

PLEASE READ AND UNDERSTAND THE REQUIREMENTS BEFORE PROCEEDING

Product Information

Available in 4", 5", 6", 7" and 8" diameters, your Model SLK Chimney Liner is an all-fuel (wood/oil/gas) liner intended for residential appliances and building heating appliances, in which the maximum continuous flue gas outlet temperatures do not normally exceed 1000°F (540°C) in the United States and 1200°F (650°C) in Canada.

Model SLK is not intended for use with Category II, III or IV gas-burning appliances or other appliances that cause condensation of corrosive acids on the liner of the chimney or create positive pressures in the chimney system.

Model SLK, in 4" to 8" sizes, is a flexible chimney liner constructed of 300 series stainless steel.

Size, Location and Clearances

Ensure your installation will conform with all federal and municipal building code requirements. Before commencing your installation, CONTACT YOUR LOCAL BUILDING OR FIRE OFFICIALS ABOUT RESTRICTIONS AND INSTALLATION IN YOUR AREA.

Model SLK is intended for use in accordance with the National Building Code, the installation Code for Oil Burning Equipment CAN/CSA-B139, Gas Burning Equipment CAN/CSA-B149, Solid-Fuel Burning Appliances and Equipment CAN/CSA-B365; and in the United States in accordance with The National Fire Protection Association (NFPA) 211, National Fuel Gas Code #54, Oil Burning Equipment #31. All Installation codes mentioned above address chimney requirements. Under no circumstances should the installer circumvent existing codes.

IMPORTANT: YOUR SLK CHIMNEY LINER HAS BEEN TESTED AND LISTED USING ALL THE SUPPORTS, SECTIONS, ETC., DESCRIBED HEREIN. DELETION OR MODIFICATION OF ANY OF THE REQUIRED PARTS OR MATERIALS MAY SERIOUSLY IMPAIR THE SAFETY OF YOUR INSTALLATION, AND VOID THE CONDITIONS OF CERTIFICATION AND/OR WARRANTY OF YOUR LINER.



Tested to:
UL1777
CAN/ULC - S635
CAN/ULC - S640

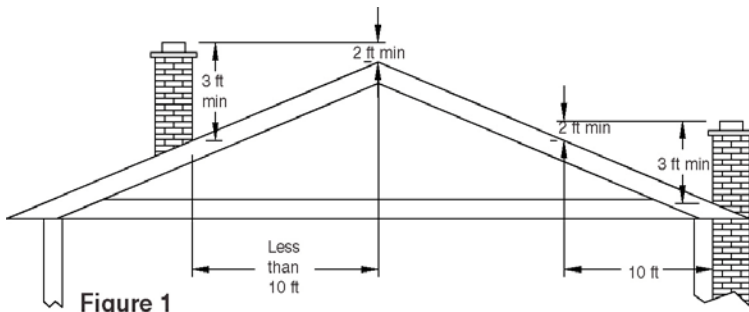
IT IS OF THE UTMOST IMPORTANCE THAT THIS CHIMNEY LINER BE INSTALLED ONLY IN ACCORDANCE WITH THESE INSTRUCTIONS. PLEASE READ ALL INSTRUCTIONS BEFORE BEGINNING YOUR INSTALLATION. FAILURE TO INSTALL THIS SYSTEM IN ACCORDANCE WITH THESE INSTRUCTIONS WILL VOID THE CONDITIONS OF CERTIFICATION AND THE MANUFACTURER'S WARRANTY. KEEP THESE INSTRUCTIONS IN A SAFE PLACE FOR FUTURE REFERENCE. FOR INSTALLATION INTO MASONRY CHIMNEYS: READ ALL INSTRUCTIONS CAREFULLY BEFORE STARTING THE PROJECT. REMEMBER THAT SAFETY COMES FIRST. MODEL SLK IS DESIGNED FOR INSTALLATION BY A QUALIFIED PERSON IN ACCORDANCE WITH LOCAL BUILDING CODES.

Model SLK Stainless Steel Flexible Chimney Liner 4" to 8" Sizes

Installation Instructions

Obtain any necessary building permits. If you choose to have your liner professionally installed, we recommend to have it installed by professionals who are certified in the U.S. by NFI (National Fireplace Institute) or in Canada by WETT (Wood Energy Technology Transfer Inc.).

Authorities require that the masonry chimney extend not less than 3 feet above the highest point where it passes through the roof of a building and not less than 2 feet above any portion of the building within 10 feet (see Figure 1).



The size of the liner selected should be the same size of the appliance flue outlet opening, or as specified in the appliance manufacturer's instructions. Correct sizing is critical for venting of low-temperature flue products in geographical areas experiencing sustained low-ambient temperatures. Improper sizing may lead to excessive condensation of moisture, creosote build-up, and poor draft. A certified technician may alter the size of the liner to suit the appliance within codes perimeter. Consult the appliance manufacturer for guidance.

The maximum allowable liner height is **60** feet (18 m).

Do not fill the airspace between the liner and chimney with loose fill insulation or cement.

Model SLK is intended for installation in existing or new tile-lined or unlined masonry chimneys or factory-built chimneys.

This system is approved in the United States and Canada with an SLK Insulation Wrap (see page 6) to reduce the clearance to combustible construction around the masonry chimney exterior only. The clearance between the masonry chimney exterior and combustible materials is dependent on the installation configuration as shown in the **Airspace Clearances to Liner** table and Figure 2.

An SLK Insulation Wrap will enhance the performance and life of the chimney when:

- The installation needs to meet the requirements of UL1777 at zero clearance to combustibles;
- The chimney being relined is located outside;
- Low flue gas temperatures are anticipated.

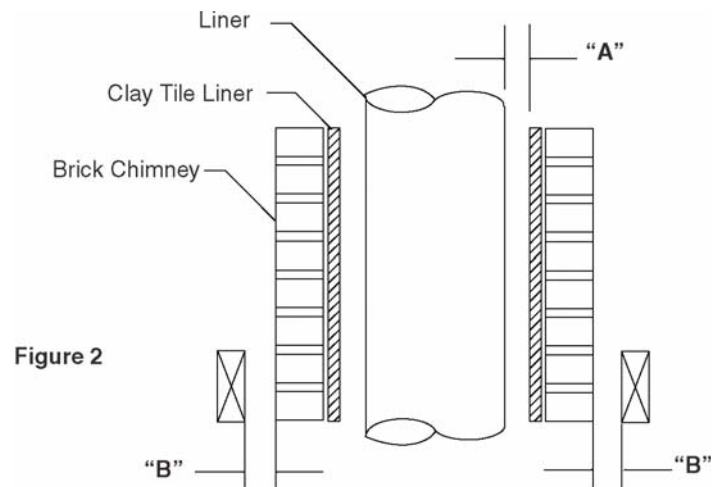
Note: Ensure there is adequate room for both liner and wrap.

Airspace Clearances to Liner (see Figure 2)

Type of Installation	Model SLK and Interior of Masonry Chimney		Clearance between Masonry Chimney Exterior and Combustibles		Country
	Clearance A	Interior Installation B	Exterior Installation B		
Model SLK	0"	2" (50mm)	1/2" (12.5mm)		Canada
	0"	2" (50mm)	1" (25mm)		U.S.
Insulated* Model SLK	0"	0"	0"		Canada
	0"	0"	0"		U.S.

*Insulated SLK with an approved insulation wrap of 8-pound density, 1/2" foil-faced ceramic fiber blanket or Hart & Cooley's insulation wraps.

Note: While insulation is not required for every application, it is highly recommended. The performance of the heating system is greatly enhanced when adding an Insulation Wrap. An insulated system helps to improve draft and minimize condensation, and flue surfaces warm up quickly. This added feature is important for exterior chimneys.



A new masonry or concrete chimney must comply with the following codes: National Building Code, CAN/CSA A405 Standard for "Design and Construction of Masonry Chimneys and Fireplaces," and NFPA 211.

Note: The safe operation of a venting system depends on the proper installation and use of all materials and components supplied by the manufacturer and proper use and operation of the connected heating equipment. Liner and component arrangements depend on the size and configuration of the chimney structure and the type, number and location of the appliances that are to be vented into the chimney.

Installation Instructions

Do not connect more than one solid-fuel-burning appliance to a single chimney flue, and do not connect gas or liquid-fired appliances to chimney flues serving a solid-fuel-burning appliance.

Liner Components

Model SLK kit contents include:

- Flashing 24 x 24
- Flashing Adapter
- Round Top
- Tee with Cap
- Flex Length
- Flex Connector
- Installation Instructions

Other components available for your installation include:

- Pull Down
- Insulation Wrap Kit (10' section per kit)

Note: Components for 4" diameter may vary in design and dimensions.

Tools and Materials

The following tools and materials may be required, as well as some others, depending on the location and structure of the chimney.

- Safety Work Gloves
- Eye Protection
- Ladder(s)/Scaffolding
- Shop Vac
- Masonry Drill Bits 1/2" or 3/8"
- Measuring Tape
- Utility Knife
- Screwdriver with Hex Head
- Hammer
- Pliers
- Cold Chisel
- Caulking Gun
- Bag of Mortar Mix
- Trowel
- Mortar Pan
- Metal Foil Duct Tape
- Dust Respirator (3M 9900 or equivalent)
- Drop Cloth
- Chimney Brushes/Rods
- Extension Cords/Work Light
- High Speed Drill Bit 1/8"
- Reversible Electric or Cordless Drill
- Hacksaw/Reciprocating Saw and Blades
- Small Adjustable Wrench/Ratchet Set
- Awl/Chalk/Felt-Tipped Markers
- Tin Snips/Side Cutter/Shears
- Metal Folder
- Silicone Caulk, high temperature
- Rope (10' longer than the chimney, including the

- wire hook at one end)
- Pop rivet gun for 1/8" rivets
- Extra Pop Rivets

Chimney Inspection and Cleaning

Caution must be used when working on a roof. The pitch of the roof and type of shingles must be considered before you set up for your installation. Ensure the safety of all workers at all times. Proper and safe scaffolding should be used for a safe installation. Check with local safety codes if safety equipment is required.

Always inspect work site. Check overhead for power lines, antennas, brick chimney or other obstacles. Secure ladders to the building.

Before the installation of the liner, it is recommended that the chimney be cleaned by a certified chimney sweep. All tar-glazed creosote and soot deposited on the internal chimney walls and smoke chamber of the fireplace must be removed. Failure to thoroughly clean the chimney before installing a new liner system may lead to fire and/or smoke damage to the home.

The airspace clearances between the masonry chimney exterior and combustible materials must be checked to verify that the chimney is in accordance with applicable building code requirements (see **Airspace Clearances to Liner** table and Figure 2 on page 2).

Since chimneys are usually very sooty and dusty, it is advisable to remove or cover your furniture, rugs, etc., for the duration of the cleaning and installation of the liner. Always wear gloves, eye protection, and a respirator mask.

These instructions are written on the assumption that the existing chimney is structurally sound. Make sure the masonry chimney is sound in construction, clean, and free from all loose and potentially flammable debris. If you find any cracked, loose or missing bricks or tiles, have them repaired or replaced. Any obstructions restricting the installation of the liner must be removed, provided it does not affect the structural soundness of the chimney.

Before installing a Model SLK system into a factory-built chimney, check with your local codes. The chimney must be thoroughly cleaned and checked for structural defects. Relining an existing certified, factory-built chimney will not change its listing. All parts of the chimney system, such as supports, radiation shields, and fire stops specified by the chimney manufacturer, must be installed correctly. In addition, there must be proper clearances between the chimney and surrounding combustible materials, as specified by the chimney's installation instructions.

Model SLK Stainless Steel Flexible Chimney Liner 4" to 8" Sizes

Installation Instructions

Flashing Support

A Flashing Adapter is used to bear the total weight of the liner system at the top of the masonry chimney (see Figure 3).

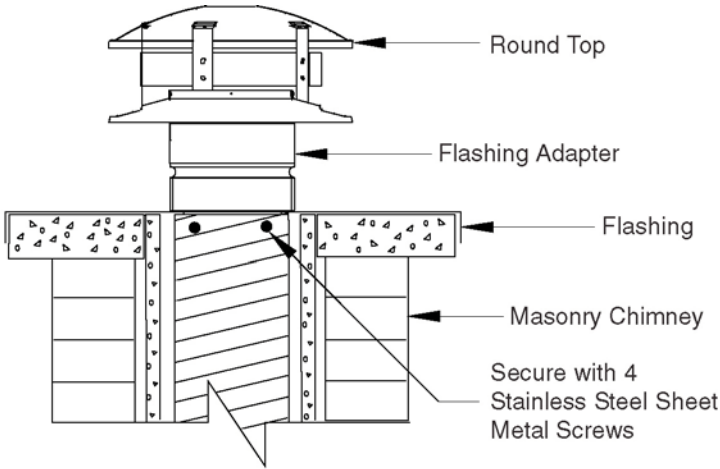


Figure 3 - Flexible SLK with Flashing Support

Preparation of the Masonry Chimney for the Liner

Model SLK is designed to allow the liner to expand and contract vertically due to heating and cooling. Do not secure the liner to the chimney in any way, such as with rivets, screws, bolts or mortar.

Establish the exact location where the Tee Branch will

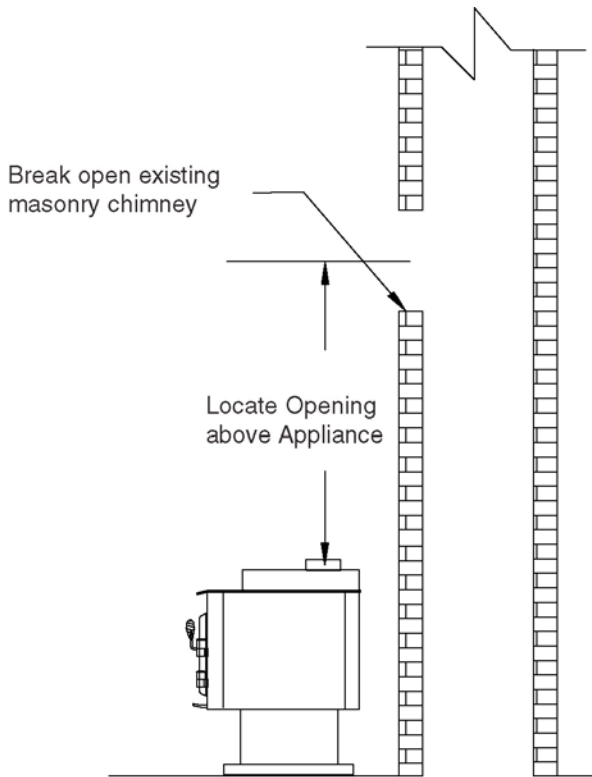


Figure 4 - Preparing Opening into Masonry Chimney

pass through the masonry chimney to be connected to the Tee body on the Liner system. You may need to add to the Tee Branch such as an Adjustable 18" Length as it should be long enough to protrude into the room at least 2" so that a connector pipe can be attached to it. Make the opening as high as possible to maximize connector rise yet maintain the proper clearances (see Figures 4 and 5).

If no opening currently exists, remove enough bricks (with an electric drill and a long masonry drill bit slightly smaller in diameter than the width of the mortar joint). Knock out the rest of the mortar around the brick with a cold chisel, and remove the remaining bricks for the required opening.

If an opening already exists, it may need to be expanded in order to make the required connections. With a drill and a masonry drill bit (smaller in width than the mortar joint), remove mortar around whole bricks for easy removal. Knock out the rest of the mortar around the brick with a cold chisel, and remove the remaining bricks for the required opening.

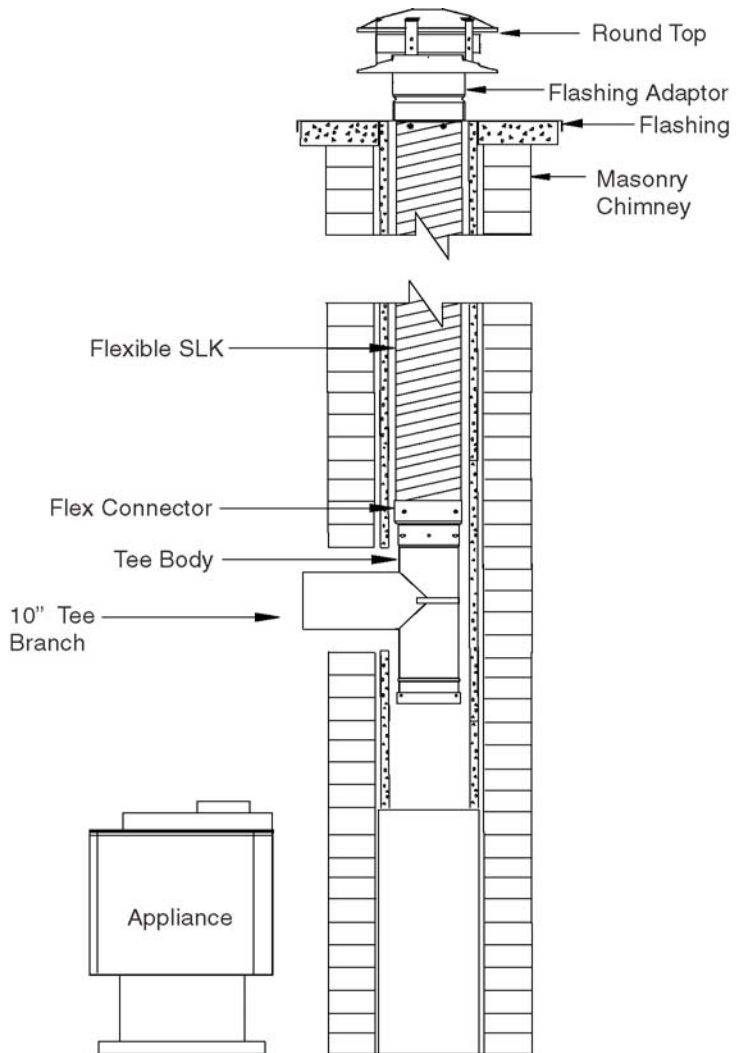


Figure 5 Typical SLK Flexible Type Installation

Installation Instructions

Top of Chimney

Your chimney may have a clay-tile liner that protrudes above the brick chimney. There is no need to remove the top portion of the clay-tile liner if it is in good condition. Complete any repairs needed to the chimney crown if any deterioration or cracks are visible.

If, on the other hand, the clay-tile liner is not in good condition, you will need to make it flush by chipping away at the excess with a hammer and cold chisel (see Figure 6). Make sure that pieces of the clay-tile liner don't fall into the flue; remove them if they do. When you have finished making the top of the chimney flush, fill in any cracks and uneven surfaces with mortar.

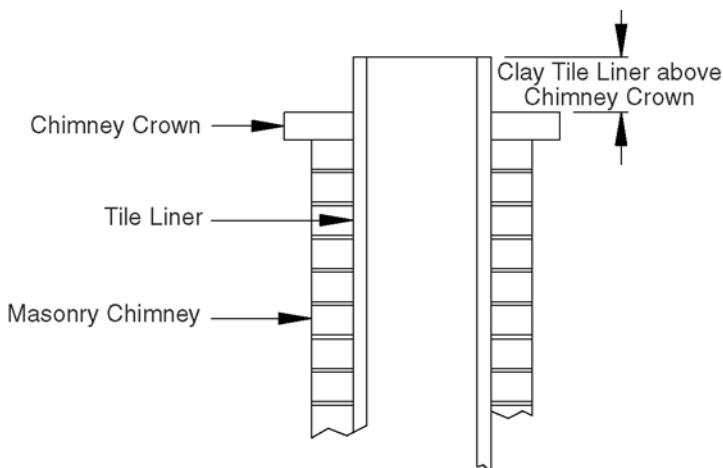


Figure 6 Remove Clay Tile Liner Above Chimney Crown If Damage is Evident

Installation of Liner Guidelines

The installation of the Model SLK is done from the top down.

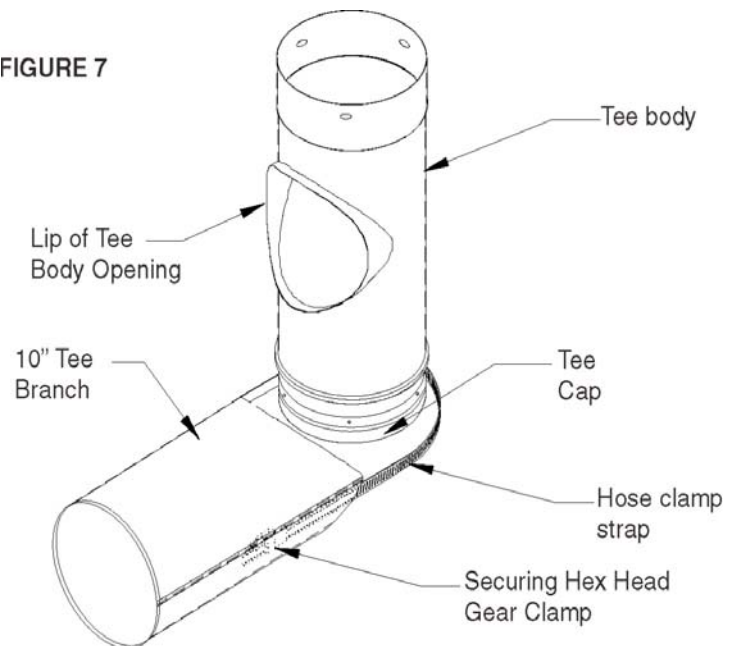
Measure the distance from the center of the wall opening to the top of the chimney. Ensure for allowances for the chimney crown thickness; offsets if so required.

It is best to assemble your base section first (Base Tee, Tee Cap, and a Flex Connector).

Model SLK - Assembly of Components

Base Tee: The horizontal Tee Branch is removable to facilitate lowering of the liner into the chimney. The Tee Branch is also 10" in length with a perforated band connection. This band is wrapped around the outside of the Tee body with an hex head screw gear clamp found inside of the Tee branch allowing loosening and tightening of the band (see Figure 7).

FIGURE 7



Flexible Liner Sections

Liner Preparation: If installation permits, the Flex Connector and the Tee body may be installed on the Flex prior to feeding liner into the chimney, as per Figure 8.

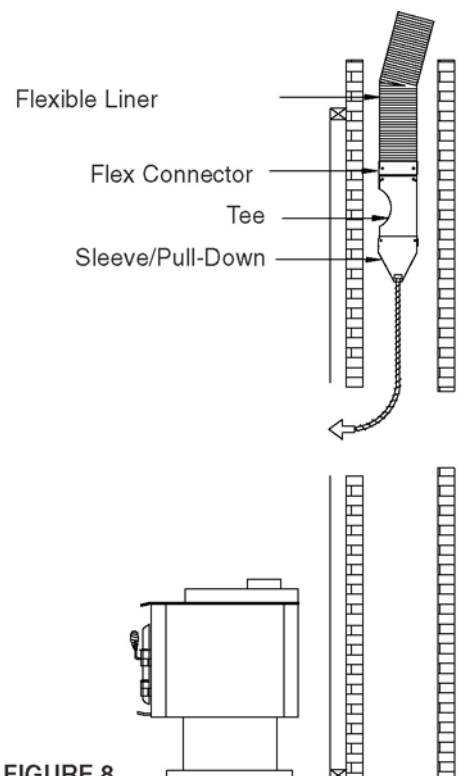


FIGURE 8

Note: For an Insert into a masonry fireplace application, the Tee is not required.

Model SLK Stainless Steel Flexible Chimney Liner 4" to 8" Sizes

Installation Instructions

Determining Liner Length: Determine the required length of the Flexible Liner by dropping a weighted line down the chimney and taking the measurement. Ensure that allowances for offsets and the use of a Tee (if required) are made.

Trimming the Liner: Select the length(s) necessary to accommodate the required distance determined above. If any Flexible Liner requires cutting, use a hacksaw, snips or a disc cutter. If necessary, multiple lengths may be joined using the Flex Connector (see Figure 9), up to a limit of 60' in height.

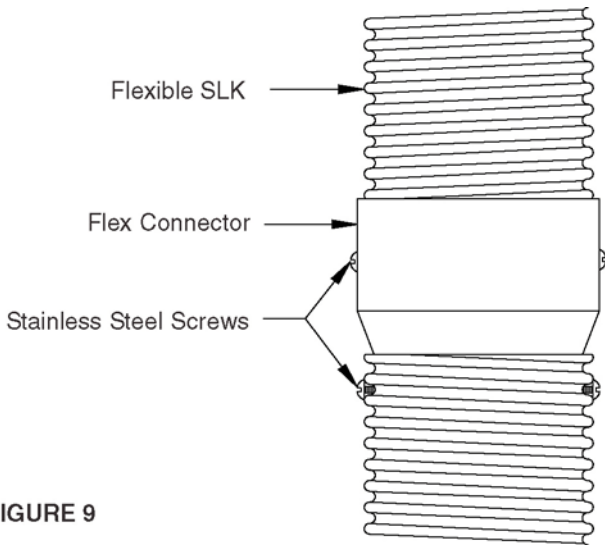


FIGURE 9

Installation Sleeve/Pull-Down Assembly: An Installation Sleeve/Pull-Down is available as an optional installation aide. When attached to a rope, it is used to pull and guide the end of the Flexible Liner through the chimney. With one end of the rope, simply tie a knot around the band of the Installation Sleeve/Pull-Down. You can assemble the Installation Sleeve directly to the Flex by sliding it over the Flexible Liner, and inserting screws through the pre-punched holes (see Figure 10).

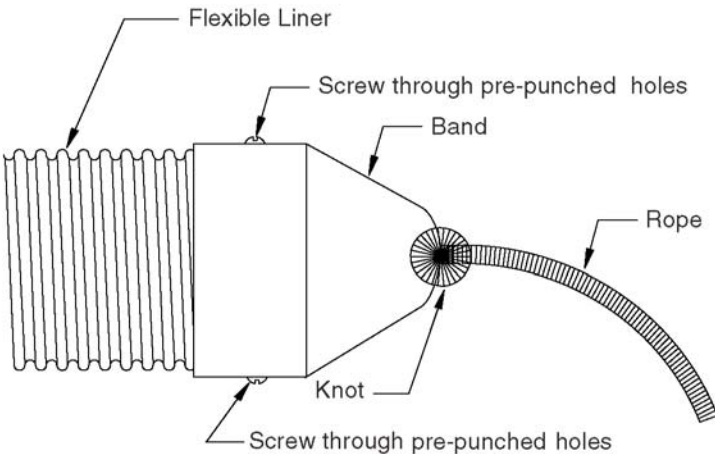


Figure 10 SLK Flexible Liner with Sleeve/Pull-Down

You can also assemble the Sleeve/Pull-Down directly below the Tee (Tee Cap must be removed) once the Flex Connector is secured to the Tee. Secure with three (3) stainless steel screws equally spaced at 120° (see Figure 8).

Installation of SLK Insulation Wrap - Optional

When installing an insulated liner in a new or existing masonry chimney, the distance from the liner to the inside wall of the masonry chimney may be zero inches or greater, and the clearance space between combustible materials and chimney exterior is zero inches.

A special kit has been prepared with all required components you will need to insulate 10' sections of the Flexible Liner (20' would require 2 kits). The components of the kit consist of:

- 10' of Foiled Insulation Blanket
- 10' of Foil Tape
- 10' of SS Wire Mesh
- 10' SS Wire

On a flat surface, lay down the required number of 10-foot Insulation blanket sections (foil face side down) needed to accommodate your SLK flexible liner system, including the Flex Connector and Base Tee.

For liner expansion allowance, no Insulation blanket should be used on the upper 3" of the Flexible Liner.

Ensure that the foil back of the Insulation Wrap is facing outward. Tape the vertical seam with the aluminum tape.

Aluminum foil tape, SS wire mesh and SS Wire are required for proper installation. The aluminum foil tape should be 3 to 4 inches wide (see Figure 11).

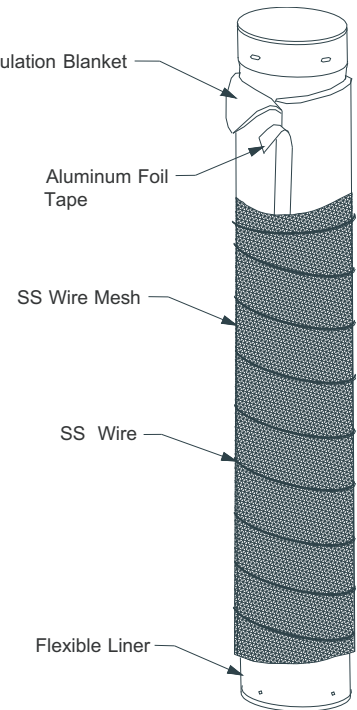


Figure 11

Model SLK Stainless Steel Flexible Chimney Liner 4" to 8" Sizes

Installation Instructions

A SS wire mesh casing must be placed around the insulated length of the liner. The wire mesh casing is held in place by stainless steel hose clamps at 2-foot intervals on the liner length. Use aluminum tape to assist holding wrap in place until hose clamps are secured.

Wrap carefully the Branch with a 1-inch overlap, and tape all seams.

Installing the Liner

If the Flexible Liner is to be insulated, do so now. See the previous section titled **Installation of SLK Insulation Wrap**. Gather all necessary component parts, and locate them near the termination of the chimney. This should consist of the Flashing, Flashing Adapter, Round Top, and the prepared length of Flexible Liner complete with Flex Connector, Tee (with branch removed), the Installation Sleeve/Pull-Down, and rope. Feed the Installation Sleeve/Pull-Down rope down the chimney flue (see Figure 8). While an assistant gently pulls on the rope from below, start lowering the Flexible Liner down into the chimney flue. The assistant may guide the Tee body through the hose clamp attached to the Tee branch. If additional lengths of Flex are required, join the sections together with a Flex Connector (see Figure 9).

Note: Due to possible snagging that may result in some surface damage, caution must be observed when lowering Liner lengths into the masonry flue.

Ensuring that the Tee previously installed on the end of the Flexible Liner is in the correct position, trim the flex so that it is flush with the top of the chimney (or clay tile). Insert the Flashing Adapter onto the Flashing, making sure the sleeve collar of the Flashing goes all the way in between the Flashing Adapter outer and inner casing.

CAUTION

DO NOT FILL THE SPACE BETWEEN THE LINER AND THE MASONRY CHIMNEY WITH LOOSE INSULATION.

Position the Flashing, and center the flat plate on top of the clay tile (or masonry chimney). Mark the outline of the clay tile on the underside of the flashing plate. The ideal size should be at least 4 inches larger than the outside of the masonry chimney (or clay tile). There should be a minimum of 2 inches of overhang on each side of the chimney (or clay tile). Cut off each corner at 45° (see Figure 14). Trim as necessary, or fold edges over the outside of the chimney.

Pull enough of the Flexible Liner out of the chimney to enable you to attach the Flexible Liner to the crimped end of the Flashing Adapter. Install four (4) stainless steel screws (evenly spaced) through the Flex into the Flashing Adapter. Apply a generous bead of high-temperature silicone on top of

the masonry chimney. Slide the Flex and Flashing assembly back into the chimney opening until the Flashing plate comes to rest on the clay tile. Press the Flashing firmly into the silicone to create a good seal (see Figures 12 and 13).

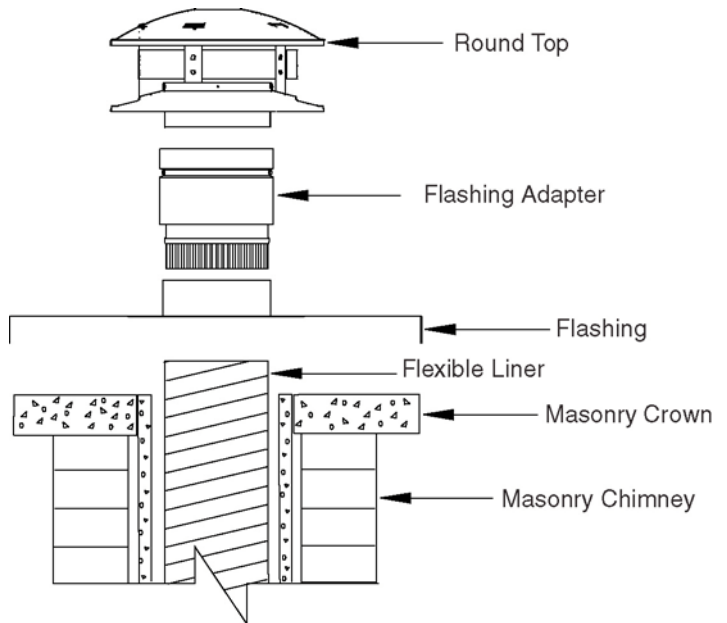


FIGURE 12 - Finishing of Masonry Chimney Top

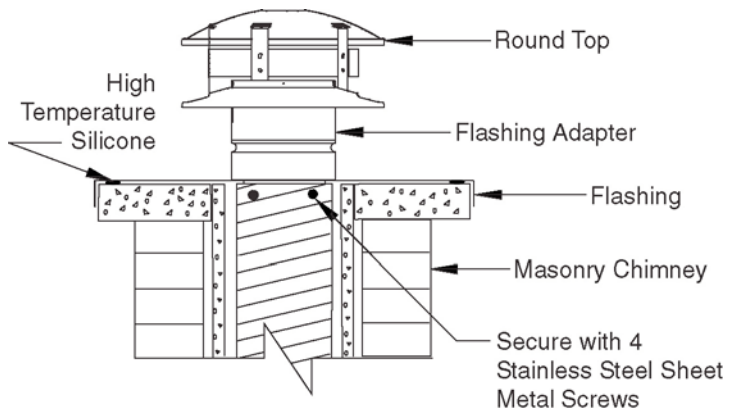


FIGURE 13 - Flexible Liner Chimney Termination

CAUTION

DO NOT MORTAR, SCREW OR RIVET THE LINER DIRECTLY TO THE FLASHING OR ANY OTHER PART OF THE CHIMNEY. THERE MUST BE ROOM FOR VERTICAL EXPANSION DUE TO HEATING AND COOLING OF THE LINER.

Model SLK Stainless Steel Flexible Chimney Liner 4" to 8" Sizes

Installation Instructions

Flashing and Round Top Installation

Position the Flashing, and center the flat plate on top of the clay tile (or masonry chimney). Mark the outline of the clay tile on the underside of the flashing plate. The ideal size should be at least 4 inches larger than the outside of the masonry chimney (or clay tile). There should be a minimum of 2 inches of overhang on each side of the chimney (or clay tile). Cut off each corner at 45° (see Figure 14). Trim as necessary or fold edges over the outside of the chimney. Attach the Round Top securely by loosening the

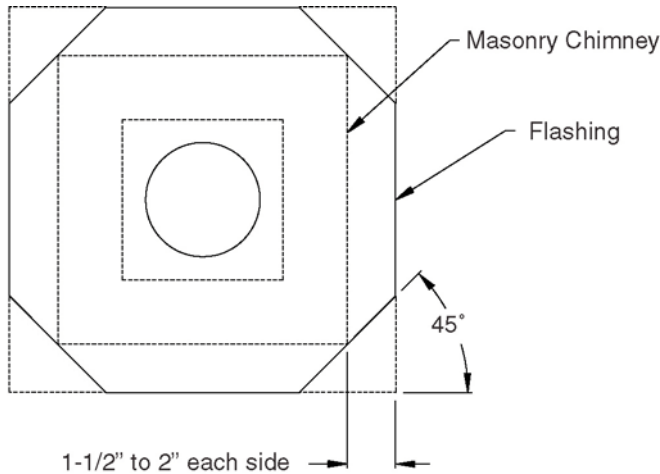


FIGURE 14 - FLASHING

screw on top of the sleeve collar (see Figure 15) and by squeezing the bottom sleeve collar to allow it to enter into the Flashing Adapter. Press down evenly on the lower skirt until it contacts the upper end of the Flashing Adapter. Tighten the screw on the collar to expand the lower end of the sleeve collar until expanded and fully tight to the inside of the Flashing Adapter.

Completion of Liner Bottom

Make sure the Tee Branch is long enough to protrude into the room at least 2" (50 mm) so that a connector pipe can be attached to it.

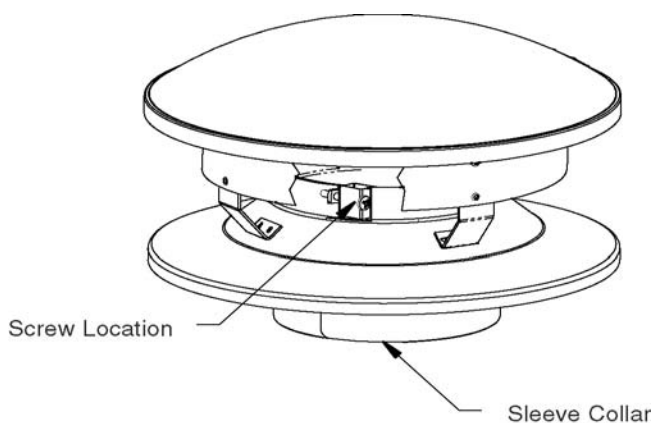


Figure 15 - Round Top Cut-Out Securing Screw

If a longer length is required install an 18" Adjustable Length and cut to the required length (see Figures 16a & b).

Make sure the Tee Branch is located in the centre of the chimney opening with the hose clamp fully extended.

Continue lowering the liner and feed it through the extended band of the Tee Branch. Rotate the Liner until the Tee Branch and the opening of the Tee Body are aligned. Ensure the Branch overlaps the lip on the Tee Body opening. Tighten the worm drive clamp

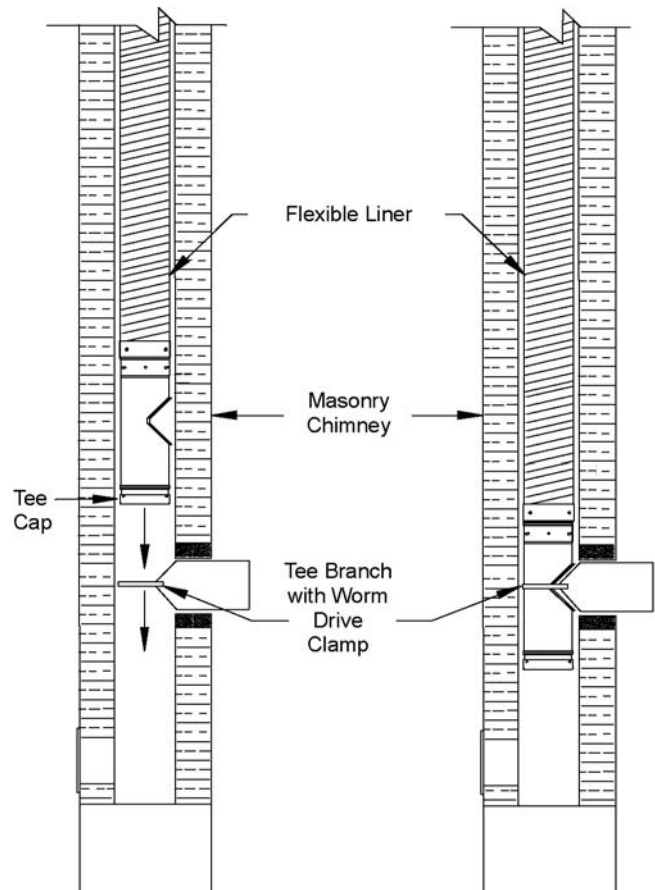


Figure 16a
Lower Liner
Through Band

securely with the
hex head screw

Figure 16b
Secure Tee Branch
to Tee Body

located inside of the Tee Branch.

Now close the hole tightly around the tee branch with leftover bricks and mortar. Follow the manufacturer's instructions for mortaring.

Installation of Appliance

Start adding sections from the Tee Branch attached to the Tee to the appliance. Follow all local building codes and manufacturer's instructions.

Unless certified for lesser clearances, Code requirements for single-wall uninsulated stovepipe and unprotected combustible material must not be less than 18" (457 mm) (see Figure 17). Check your local codes for any restrictions and requirements. If a combustible wall is in front of the brick chimney through which your stovepipe

Installation Instructions

passes, in order to install the appliance, a listed wall pass-through system or other approved methods (see NFPA 211 or CAN/CSA-B365) must be installed.

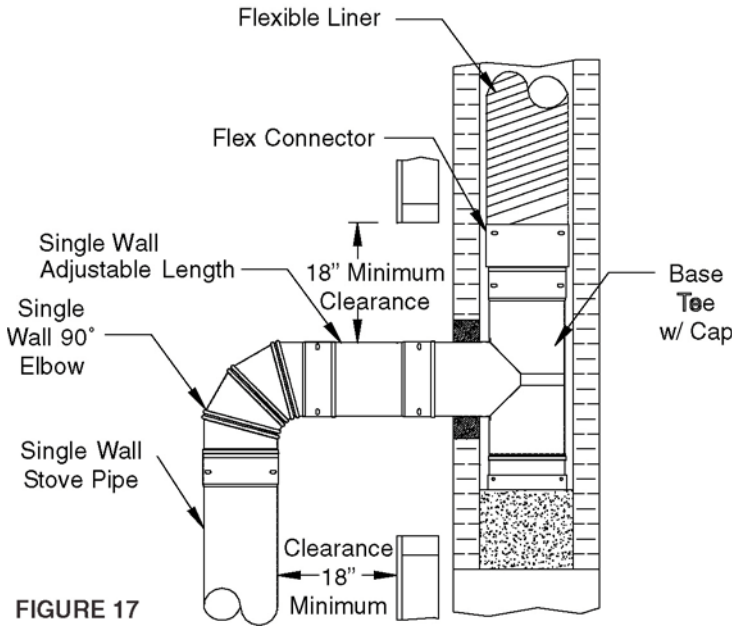


FIGURE 17

Installation Completion

After the appliance is correctly positioned and all the venting connections are completed and checked for proper installation (clearances to combustibles, proper support and component parts), fill the void area around the penetration hole with mortar. High-temperature ceramic sealant, or other noncombustible filler material may be used as a substitute instead of mortar.

Upon completion of the installation, complete the applicable information below, as well as on the label provided. Affix the label at a location close to where the connection is made to the appliance.

Installation Date:

Technician's Name:

Technician's
Certification Number:

INSTALLATION OF AN INSERT

For an insert application into a masonry fireplace, a flex fitted with the Flex Connector and lowered into the chimney and connected to the appliance. Consult all sections pertaining to a safe installation. Follow the manufacturer installation instructions supplied with the insert for more details on how to connect to the appliance. See Figure 18 for a basic installation.

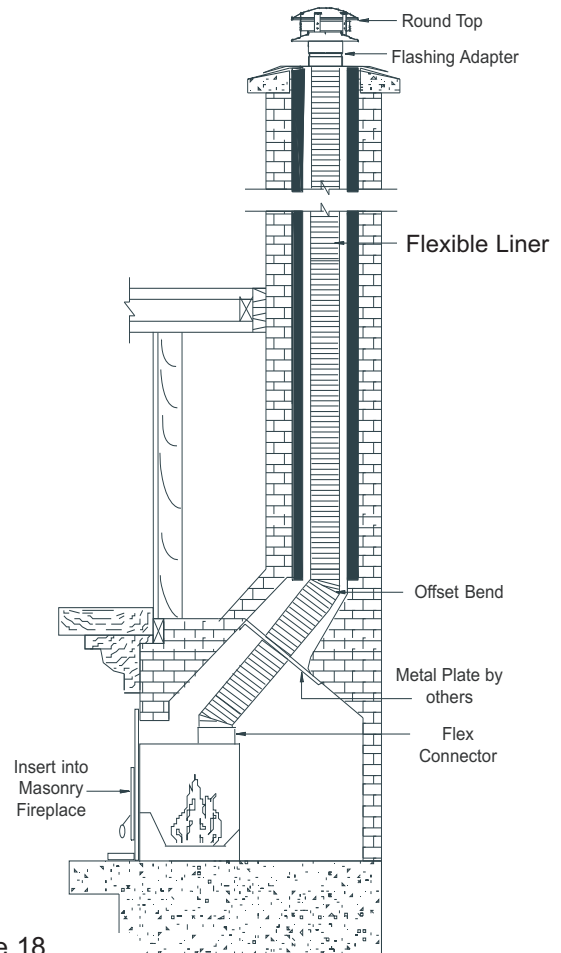


Figure 18

Maintenance and Cleaning of Chimney and Rigid Liner

“Creosote and Soot – formation and need for removal”

The need for chimney maintenance depends on the kind of appliance and how it is operated. Gas and oil-burning appliances need very little chimney maintenance, but wood-burning appliances may need a great deal.

Good operating and firing techniques of your wood burner will have a positive impact in reducing creosote build-up. Burn hot, bright fires, and fire each load hot. It is important to load your appliance properly and to avoid smoldering fires. By doing so, it reduces the risk of chimney fires and creosote formation. If your wood is not thoroughly seasoned, split it in smaller pieces instead of larger ones. Ideally, the moisture content of your firewood should be between 18 and 22 percent.

When wood is burned slowly, it produces tar and other organic vapors that combine with expelled moisture, which forms creosote. The creosote vapors condense in a relatively cool chimney flue of a slow-burning fire. As a result, creosote accumulates on the flue lining. When ignited, this creosote creates a chimney fire with extremely high temperatures.

With a new installation, the chimney should be inspected frequently (every two weeks) to determine the rate of creosote formation. When familiar with the appliance and chimney characteristics, the chimney should be inspected at least once every two months during the heating season to determine if a creosote or soot build-up has occurred. If creosote or soot build-up has occurred ($1/16$ " or more), it should be removed to reduce the risk of a chimney fire. Every chimney flue and flue pipe shall be inspected annually and cleaned as often as may be necessary to keep the chimney and flue pipe free from dangerous accumulation of combustible deposits.

Contact a professional chimney sweep for chimney cleaning services and advice. To visually inspect the chimney, loosen the set screw on the Rain Cap and lift it off the liner. Remove the Tee Cap (if so equipped) to clean from the bottom. This will permit the insertion of a flashlight for inspection and a plastic chimney cleaning brush. A metal brush may scratch the liner and lead to premature corrosion.

If chemical cleaners are used to assist in the cleaning of the Model SLK, make sure it is a product that is noncorrosive. Chemical cleaners (including sweeping logs products) do not replace the optimal method of cleaning a chimney by a mechanical brushing for removal of creosote and other potentially hazardous material. This is in conjunction with a complete evaluation and visual inspection of the system by a professional chimney sweep.

The following materials should not be burned in your wood heat appliance: pressure-treated lumber, railroad ties, saltwater driftwood, plastics. Burning such materials may lead to severe corrosion of your appliance and of the chimney liner. To reduce corrosion in a liner where coal is burned, the system must be thoroughly cleaned within 48 hours of shutting down the appliance for the season, and all soot must be removed from the liner system. Ensure that only low sulphur content coal (1% or less) is burned.

INSTALLATION INFORMATION

Keep in a safe place for future reference.

Chimney Model: _____

Type of Appliance: _____

Installation Date: _____

Description of Installation (chimney and flue pipe configuration): _____

PURCHASED FROM

Dealer Name: _____

Address: _____

City: _____

State/Province/Zip: _____

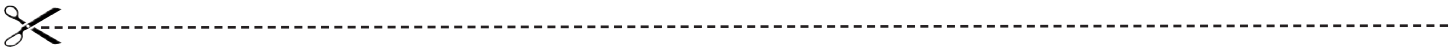
INSTALLED BY

Technician Name: _____

Address: _____

City: _____

State/Province/Zip: _____



PRODUCT REGISTRATION

Please register your chimney with the manufacturer.

Mail to: Hart & Cooley, Inc.
Warranty Registration
5030 Corporate Exchange Blvd. SE
Grand Rapids, MI 49512

Name: _____

Address: _____

City: _____

State/Province/Zip: _____ **Telephone No.:** _____

Chimney Model: _____ **Installation Date:** _____

Technician Name: _____ **Address:** _____

City: _____

State/Province/Zip: _____ **Telephone No.:** _____

Limited Lifetime Warranty

Model SLK Chimney & Venting Products

Hart & Cooley, Inc. ("Hart & Cooley," "we," "us," "our", "its") warrants its products to be free from defects in material and workmanship for as long as the original consumer owns the system. For products installed after January 1, 2000, for a period of ten (10) years from the original installation, we will provide replacement product with a similar or like quality of available product, **free of charge**, excluding any installation costs. From the eleventh (11th) through fifteenth (15th) years, we will provide replacement product to the original consumer at a cost of 75% off the published list price in effect on the date the claim is received, excluding any installation costs. At expiration of the fifteen- (15) year term, we will provide replacement product to the original consumer at a cost of 50% off the published list price in effect on the date the claim is received, excluding any installation costs.

Limitations

- Products must be installed for their intended purpose and in accordance with current Hart & Cooley, Inc. instructions.
- Products must be connected to an appliance listed with an accredited testing laboratory.

WARNING

Failure to install Hart & Cooley products according to the manufacturer's instructions will void all applicable warranties and may result in fire, carbon monoxide poisoning or death. See our installation instructions for complete installation procedures.

Warranty Coverage

This warranty covers any substantial defects in material and workmanship in normal use that are found to exist in any of the insulated chimney sections or component parts of your chimney, with the exception stated below.

THIS WARRANTY DOES NOT COVER:

1. Any nonstainless base tee unit mounted or connected to an Insulated Chimney system.
2. **Costs (labor or otherwise) associated with either removing a previously installed product, installing a replacement product, transportation or return of a product, or transportation of replacement product. Due to the wide variance in installation practices and other conditions beyond our control, we do not guarantee or in any way warrant the installation of Chimney and Venting products.**
3. Damage to the finish of products caused by the use of improper solvents/chemicals or improper cleaning methods.
4. Damage resulting from failure to reasonably clean, care for, or maintain products in accordance with our installation instructions/recommendations.
5. Damage to products, appliance or structure on or resulting from improper installation or repair, misuse or abuse, including but not limited to excessive or improper operating conditions, or alteration or adjustment other than in conformity with our installation instructions and specifications, whether performed by a contractor, service company, technician, or you.
6. Any products that have been moved from their original installation site.
7. Damage caused by burning driftwood, garbage, or any other prohibitive material that has been burned in the appliance served by the chimney.
8. Damage that results from accidents, such as fire, flood, high winds, acts of God, or any other contingency beyond our control.

Claim Procedure

If you believe that a product is defective, notify us in writing at the following location:

Hart & Cooley, Inc.
ATTN: Warranty Claims Department
5030 Corporate Exchange Blvd. SE
Grand Rapids, MI 49512
616.656.8200 *phone*
616.656.6399 *fax*

Notification should include a description of the product, model and serial number (if applicable) and a description of the product defect. Upon receipt of a written claim under this limited warranty and evidence of the date of purchase or installation, at our option and sole discretion, we will provide replacement product with similar or like quality of available Hart & Cooley product, excluding any installation costs. Hart & Cooley, Inc. reserves the right to inspect or investigate any warranty claims prior to determining whether to provide replacement product. If, as determined by Hart & Cooley, Inc., repair or replacement of the product is not commercially practical or cannot be completed in a timely manner, we may refund the purchase price paid for the product, prorated to the terms of this warranty, upon verification by providing a copy of your invoice or receipt of bill of sale.

Index

Product Information1
Size, Location and Clearances1
Liner Components3
Tools and Materials3
Chimney Inspection and Cleaning3
Flashing Support4
Preparation of the Masonry Chimney for the Liner4
Top of Chimney5
Installation of Liner Guidelines5
Model SLK - Assembly of Components5
Flexible Liner Sections5
Installation of SLK Insulation Wrap - Optional6
Installing the Liner7
Flashing and Round Top Installation8
Completion of Liner Bottom8
Installation of Appliance8
Installation Completion9
Insert Installation9
Maintenance and Cleaning of Chimney and Rigid Liner10
Installation Information10
Product Registration10
Limited Lifetime Warranty11
 Model SLK Chimney & Venting Products11
 Limitations11
 Warranty Coverage11
 Claim Procedure11



Hart & Cooley Inc
5030 Corporate Exchange Blvd SE
Grand Rapids, MI 49512
info@hartcool.com
hartandcooleyinc.com

Phone: 616-656-8200
Fax: 616-656-6399