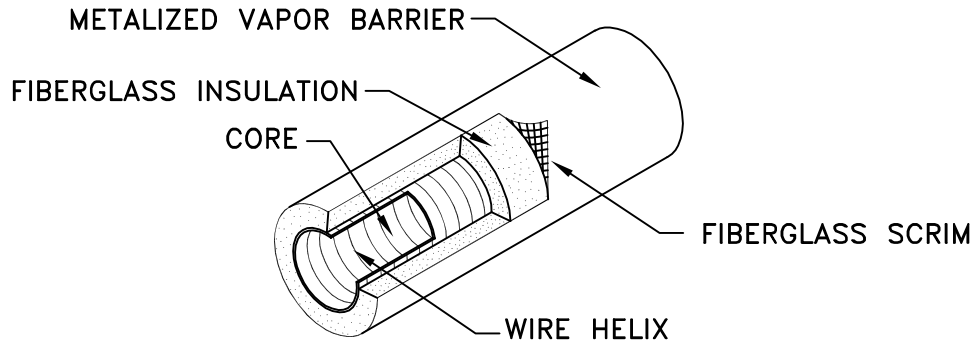


## COMMERCIAL SERIES FLEX



### CORE

- Two tough plies consisting of a layer of metalized polyester and a layer of clear polyester encapsulating a steel wire helix creating a high strength and durable product.
- Rated pressures (UL-181): 16 in. W.C. positive, 1 in. W.C. negative ( $\leq 12''\phi$ ) &  $1/2''$  W.C. negative ( $> 12''\phi$ ).
- Recommended maximum operating pressures (ADC Test FD 72-R1):  
6 in. w.g. positive for 12 in. diameter and under.  
4 in. w.g. positive for 14 in. diameter and over.
- Rated maximum air velocity: 6000 FPM.

### THERMAL CHARACTERISTICS

- R-6.0 formaldehyde free insulation certified by UL and the Air Diffusion Council in accordance with ADC Flexible Duct Performance and Installation Standards using ASTM C-518 at installed wall thickness on flat insulation only.

### VAPOR BARRIER

- This metalized vapor barrier is constructed using fiberglass scrim which provides an outstanding combination of strength and tear resistance.
- Perm rating of 0.04 perms when measured per ASTM E96, Method A.

### SURFACE BURNING CHARACTERISTICS

- Flame Spread: Less than 25
- Smoke Developed: Less than 50

### OPERATING TEMPERATURE RANGE

- -20°F to 140°F Continuous
- -20°F to 250°F Intermittent

### SIZE AVAILABILITY

- Standard length: 25 feet
- Diameters offered: 4"– 10", 12", 14", 16", 18" & 20"
- Plain ends

### APPROVALS/COMPLIANCE

- UL-181 (UL LISTED)
- NFPA 90A & 90B
- HUD, IMC, UMC
- California Bureau of Home Furnishings
- Most Federal, State, and Local Codes and Standards.
- GREENGUARD Children & Schools
- GREENGUARD Level 4 "Highly Microbial Resistant" Rated
- CHPS
- American Schools & Hospital Facilities Product Directory

C:\User\Marketing\art\Design\02\_CMS\_FIBR\_Loop.jpg

JOB NAME: _____	SUBMITTED BY: _____	DATE: 7/17/2014	SD-5041
LOCATION: _____		<b>F296, FB296</b>	
ARCHITECT: _____		Insulated Flexible Air Duct, Class 1	
ENGINEER: _____		R-6.0, Two Ply	
CONTRACTOR: _____		Metalized Polyester/Polyester Core Metalized Vapor Barrier	