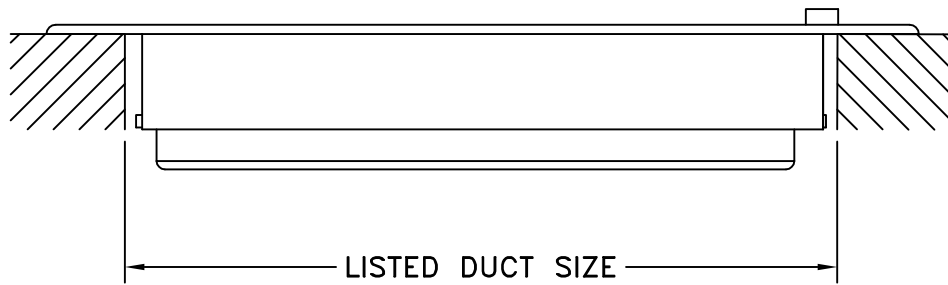
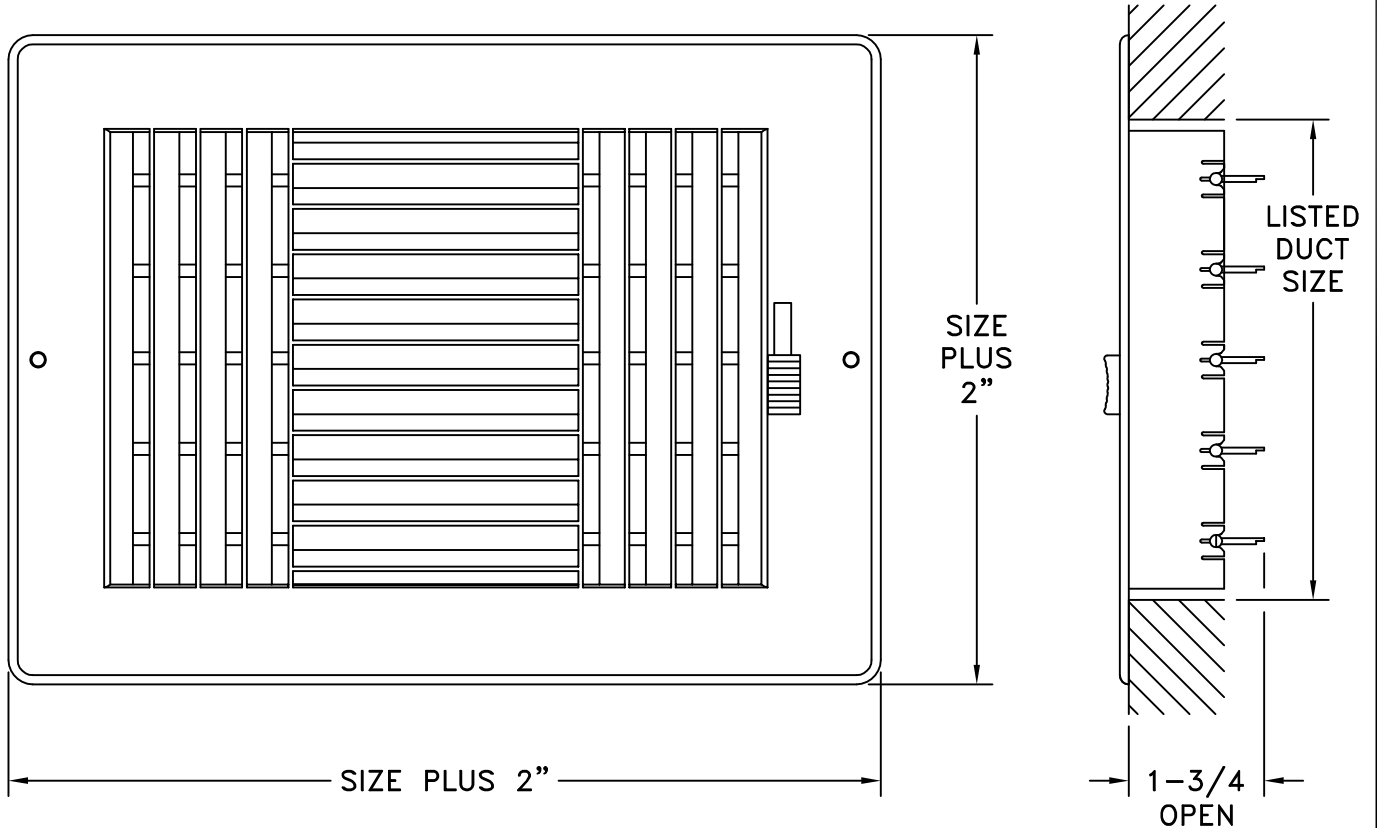


- ENGINEERED UV RESISTANT POLYMER CONSTRUCTION
- 3-WAY DEFLECTION
- INTEGRAL MULTI-SHUTTER DAMPER
- FOR HEATING AND COOLING
- FINISH: WHITE (W)



JOB NAME: _____	SUBMITTED BY: _____	DATE: 05/08/2014	RZ-2152
LOCATION: _____		REZZIN 3-WAY	
ARCHITECT: _____		Ceiling Or Sidewall Register	
ENGINEER: _____			
CONTRACTOR: _____			