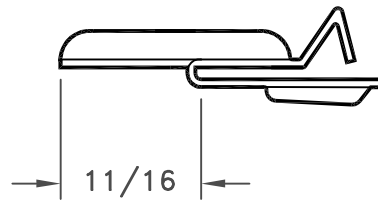
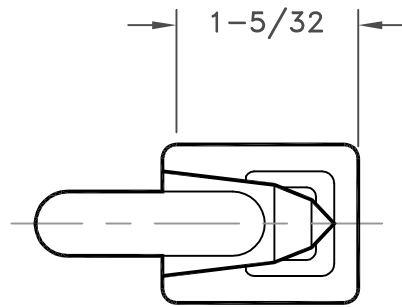


- 5/16 INCH DIAMETER FIXED BEARING
- MAXIMUM DAMPER THICKNESS: .022 INCH



JOB NAME: _____	SUBMITTED BY: _____	DATE: 08/26/2013 SD-2703
LOCATION: _____		102
ARCHITECT: _____		Damper Tip
ENGINEER: _____		
CONTRACTOR: _____		