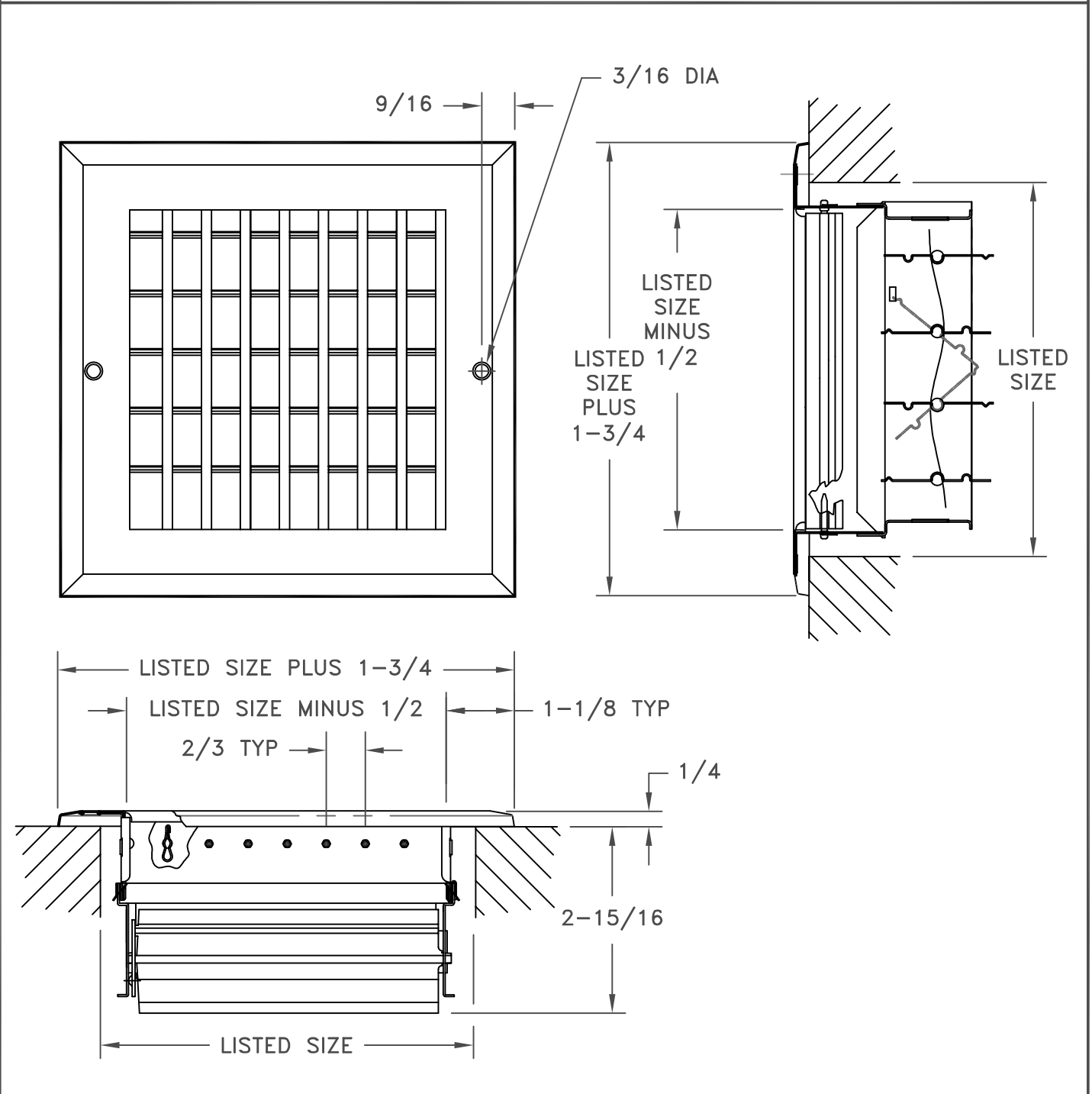


- ALUMINUM FACE, PAINTED STEEL OPPOSED BLADE DAMPER
- ADJUSTABLE VERTICAL FRONT FINS
- MINIMUM SIZE = 6 X 6
- MAXIMUM SIZE = 14 X 14
- FINISH: WHITE (W) ENAMEL



JOB NAME: _____	SUBMITTED BY: _____	DATE: 08/16/2013	SD-2510
LOCATION: _____		A618-OB	
ARCHITECT: _____		Aluminum, Adjustable Straight Fin	
ENGINEER: _____		Register With Painted Steel	
CONTRACTOR: _____		Opposed Blade Damper Single Deflection	