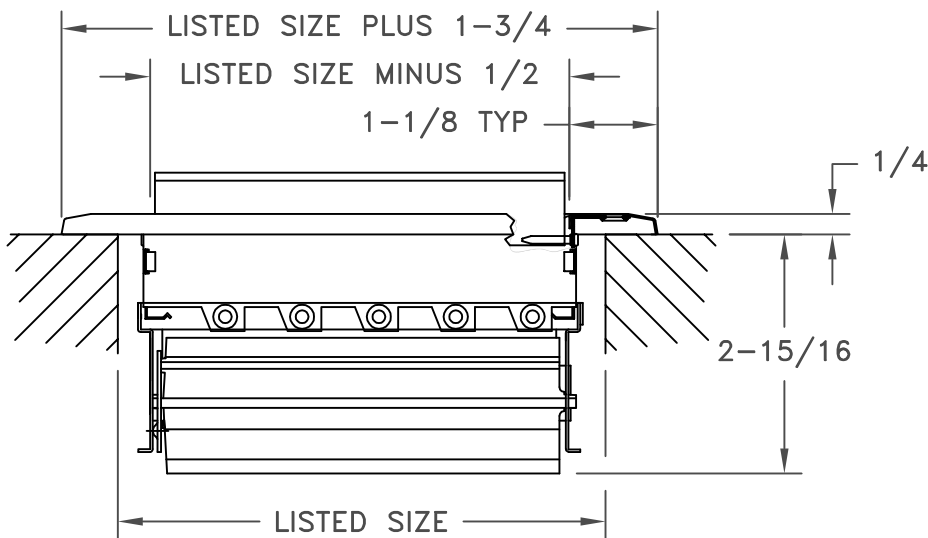
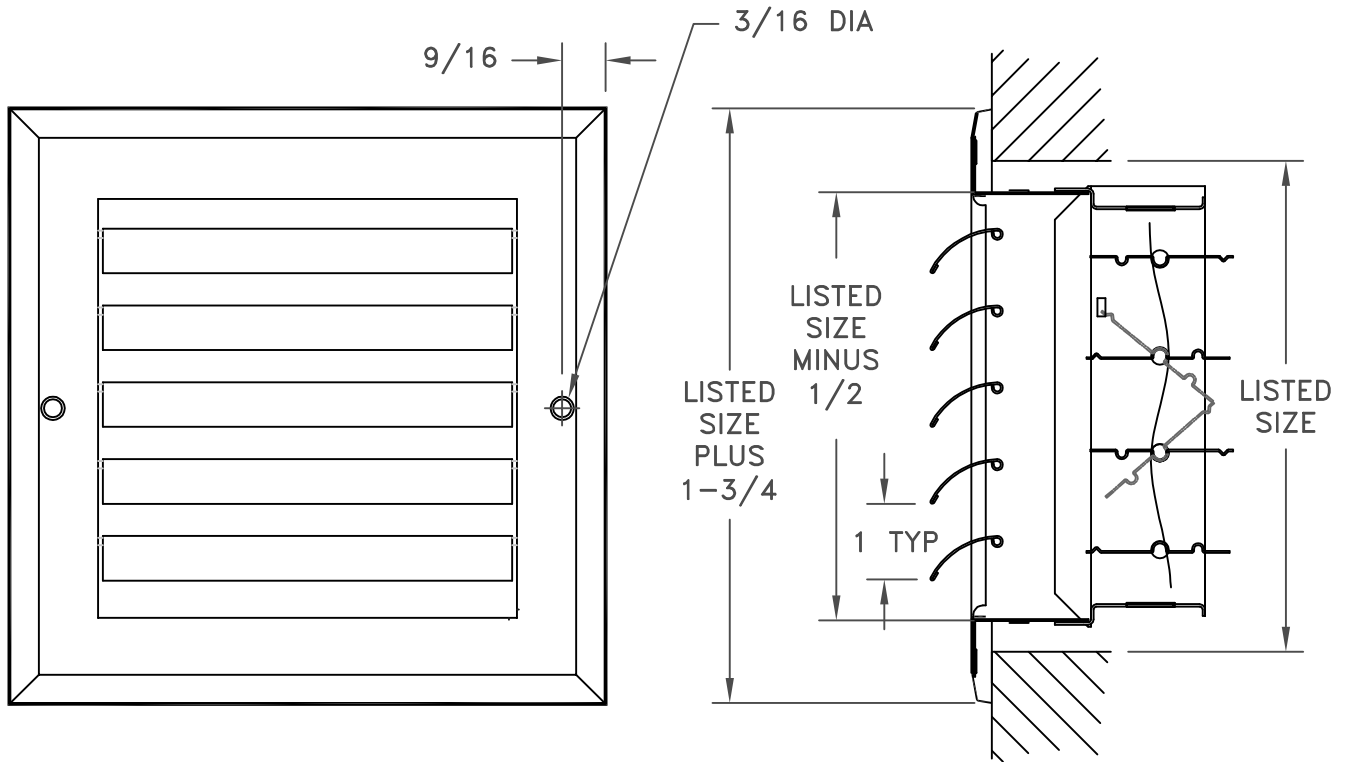


- ALUMINUM FACE, GALVANIZED OPPOSED BLADE DAMPER
- ADJUSTABLE CURVED BLADES
- MINIMUM SIZE = 6 X 6
- MAXIMUM SIZE = 14 X 8
- FINISH: WHITE (W) ENAMEL



JOB NAME: _____
 LOCATION: _____
 ARCHITECT: _____
 ENGINEER: _____
 CONTRACTOR: _____

SUBMITTED BY: _____

DATE: 08/15/2013 | SD-2506
A611-OB
 Aluminum, Curved Blade Register
 With Painted Steel
 Opposed Blade Damper
 1-Way Air Pattern