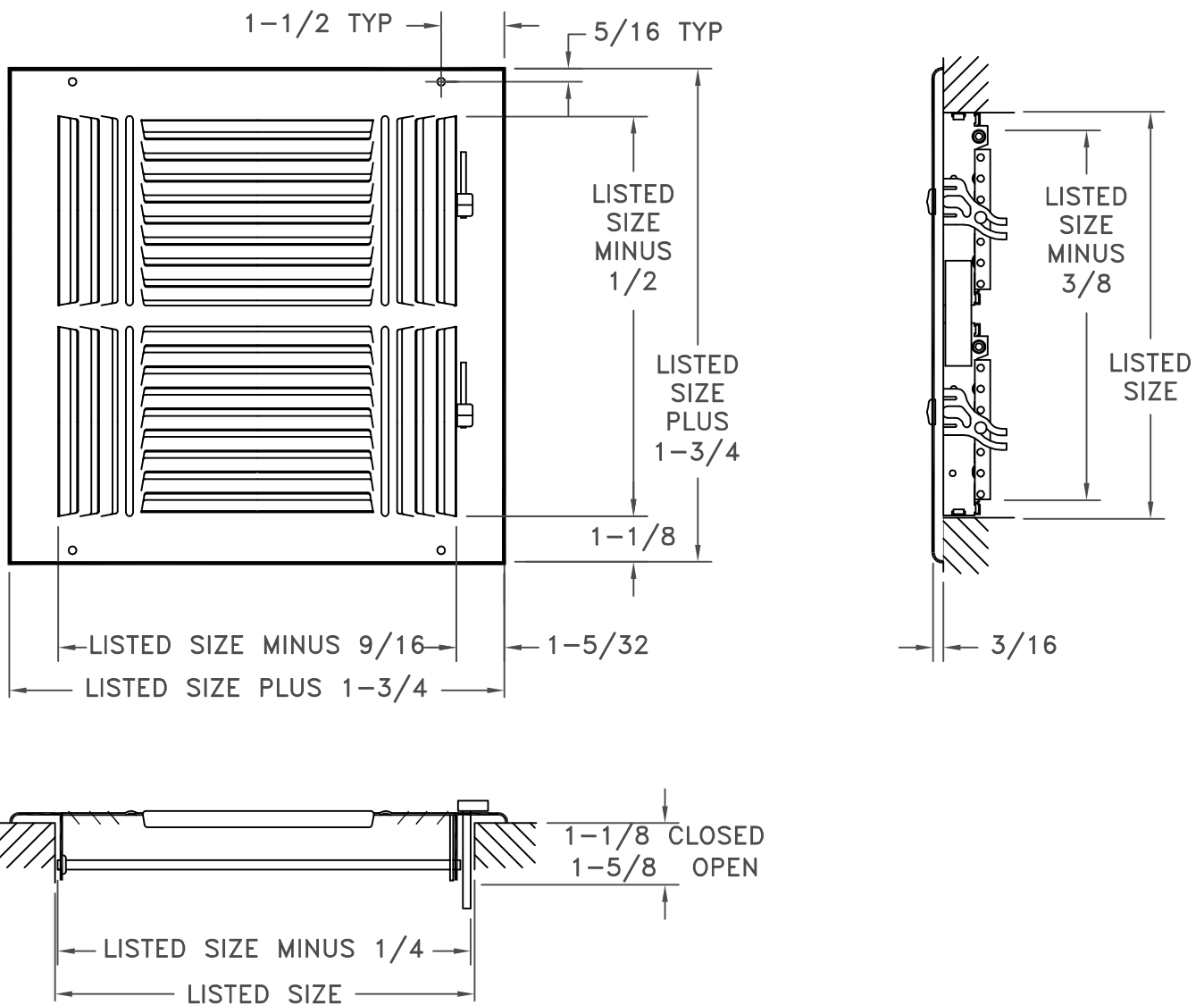


- ALL STEEL CONSTRUCTION
- INTEGRAL MULTI-SHUTTER DAMPER
- 1/2 INCH SPACED FINS SET AT 40 DEGREES
- MINIMUM SIZE = 6 X 6
- MAXIMUM SIZE = 16 X 16
- 4-WAY DEFLECTION
- FOR HEATING OR COOLING
- FINISH: WHITE (W) ENAMEL



JOB NAME: _____	SUBMITTED BY: _____	DATE: 08/23/2013	SD-2438
LOCATION: _____		<b>684</b> Steel 4-Way Ceiling Or Sidewall Register	
ARCHITECT: _____			
ENGINEER: _____			
CONTRACTOR: _____			