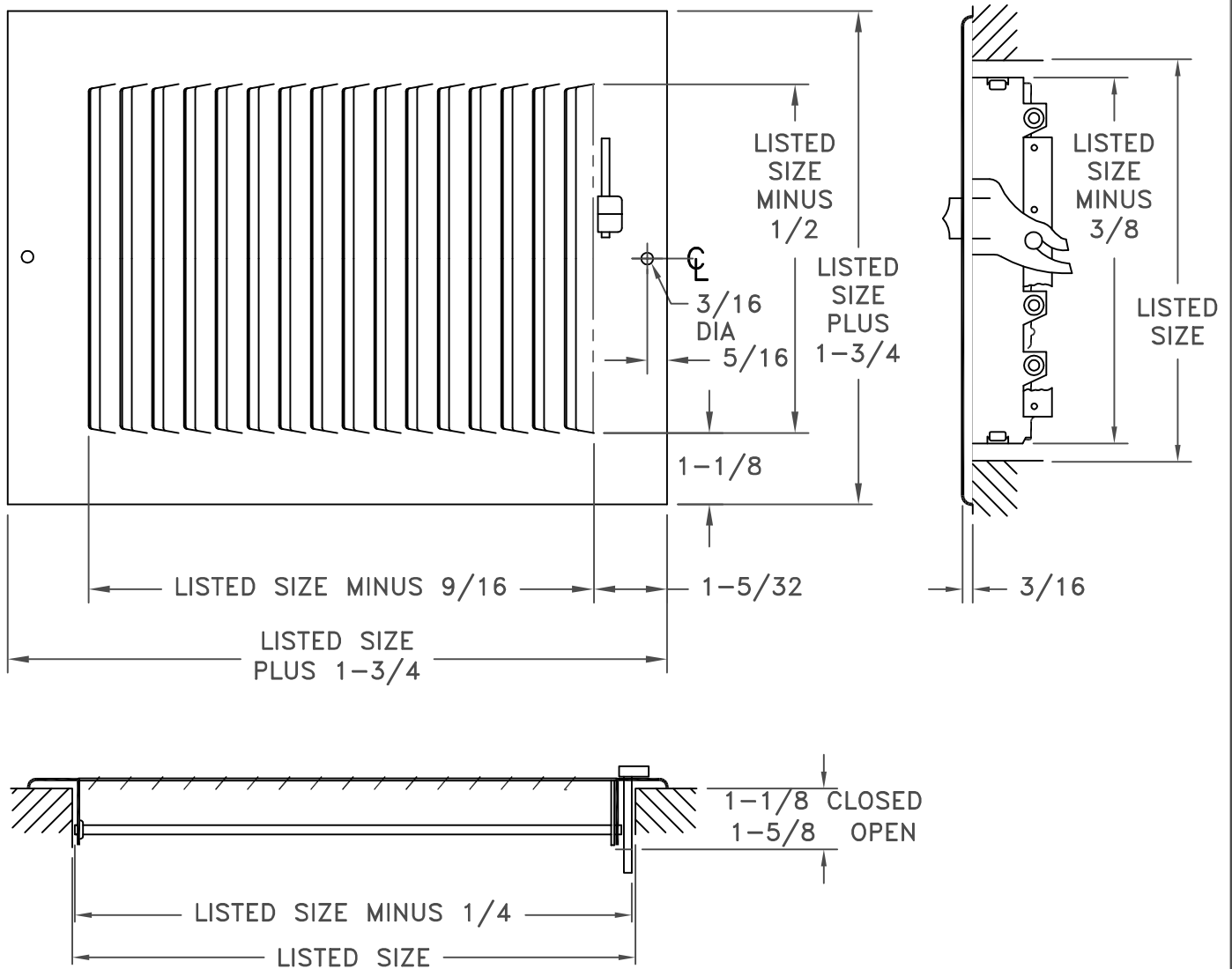


- ALUMINUM CONSTRUCTION
- INTEGRAL STEEL MULTI-SHUTTER DAMPER
- 1/2 INCH SPACED FINS SET AT 40 DEGREES
- 1-WAY DEFLECTION
- FOR HEATING OR COOLING
- FINISH: WHITE (W) ENAMEL



JOB NAME: _____	SUBMITTED BY: _____	DATE: 08/23/2013	SD-2435 AL
LOCATION: _____		<b>A681</b>	
ARCHITECT: _____		Aluminum 1-Way	
ENGINEER: _____		Ceiling Or Sidewall Register	
CONTRACTOR: _____			