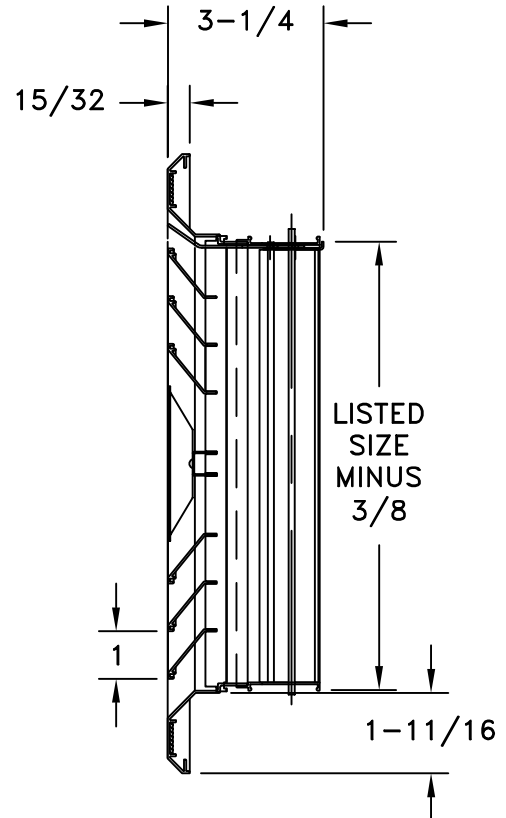
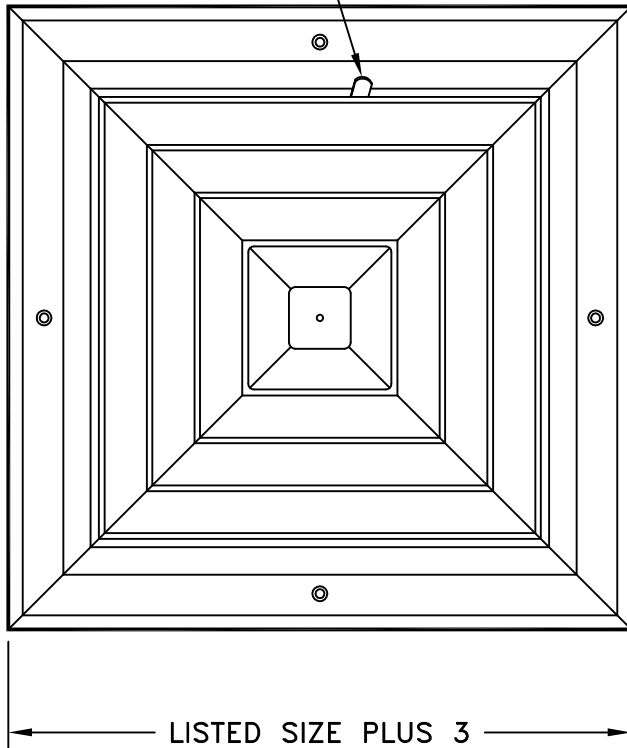


- INTEGRAL OPPOSED BLADE DAMPER
- AVAILABLE IN SIZES 6 X 6 THROUGH 14 X 14 IN 2 INCH INCREMENTS
- A STEEL PANEL FOR ALL SIZES AND PATTERNS FITS 24 X 24 INCH T-BAR CEILINGS  
SEE SD-2302
- FINISH: WHITE (W) ENAMEL

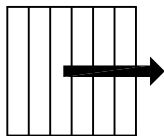
### 4 WAY CORE SHOWN

AIR VOLUME CONTROL LEVER

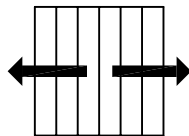


### FLOW PATTERNS

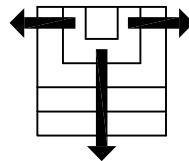
1 WAY  
A501-OB



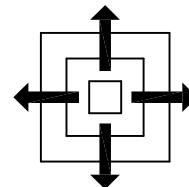
2 WAY  
A502-OB



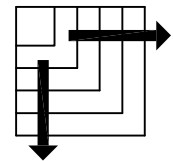
3 WAY  
A503-OB



4 WAY  
A504-OB



2 WAY  
CORNER  
A505-OB



JOB NAME: \_\_\_\_\_  
 LOCATION: \_\_\_\_\_  
 ARCHITECT: \_\_\_\_\_  
 ENGINEER: \_\_\_\_\_  
 CONTRACTOR: \_\_\_\_\_

SUBMITTED BY: \_\_\_\_\_

DATE: 08/26/2013 SD-2301

**A500-OB**  
 Aluminum Square Diffuser  
 With Opposed Blade Damper