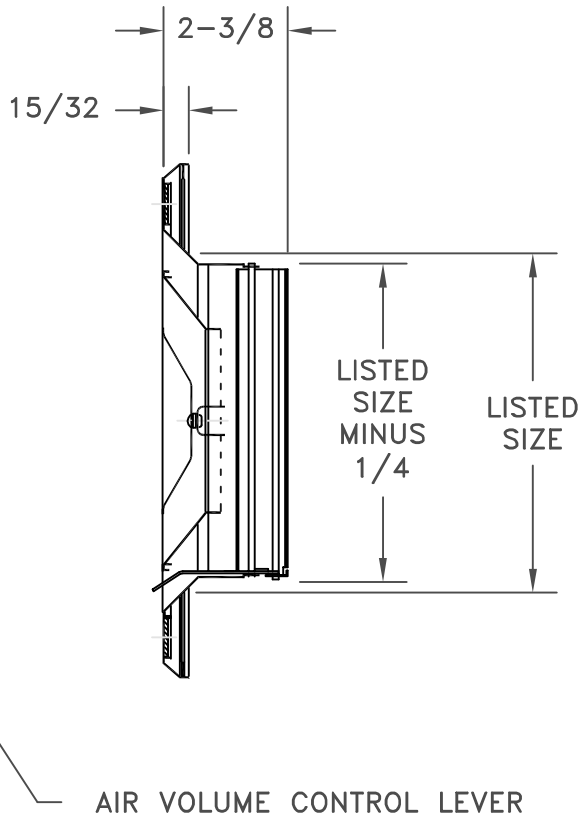
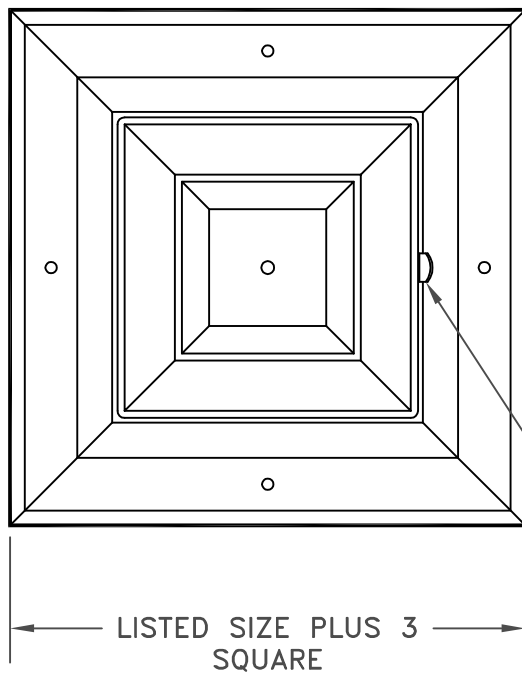


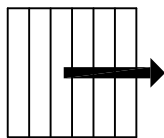
- INTEGRAL MULTI-SHUTTER DAMPER
- AVAILABLE IN SIZES 6 X 6 THROUGH 14 X 14 IN 2 INCH INCREMENTS
- A STEEL PANEL FOR ALL SIZES AND PATTERNS FITS 24 X 24 INCH T-BAR CEILINGS SEE SD-2302
- FINISH: WHITE (W) ENAMEL

### 4 WAY CORE SHOWN

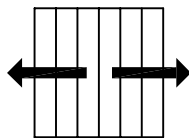


### FLOW PATTERNS

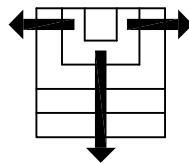
1 WAY  
A501-MS



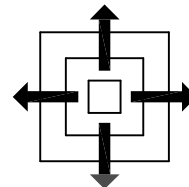
2 WAY  
A502-MS



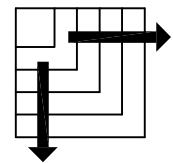
3 WAY  
A503-MS



4 WAY  
A504-MS



2 WAY  
CORNER  
A505-MS



JOB NAME: \_\_\_\_\_  
 LOCATION: \_\_\_\_\_  
 ARCHITECT: \_\_\_\_\_  
 ENGINEER: \_\_\_\_\_  
 CONTRACTOR: \_\_\_\_\_

SUBMITTED BY: \_\_\_\_\_

DATE: 08/26/2013 | SD-2300

**A500MS**  
 Aluminum Square Diffuser  
 With Multi-Shutter Damper