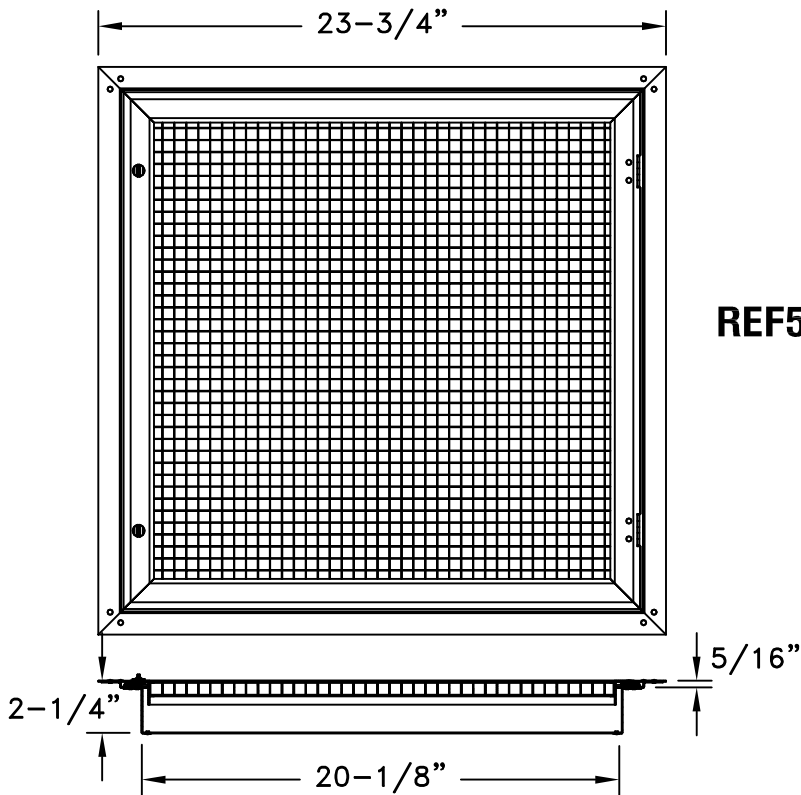
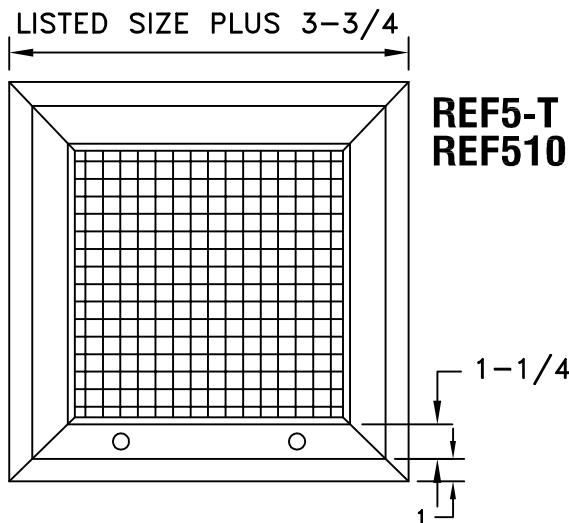


- EXTRUDED ALUMINUM CONSTRUCTION
- PERMANENT HINGE DESIGN, 1/4 TURN LATCH FASTENERS
- USES NOMINAL 1 INCH DISPOSABLE FILTERS
- FILTER SIZE EQUALS LISTED SIZE MINUS 1/4 INCH
- SIZES: 20 X 20, 44 X 20
- FINISH: WHITE (W) ENAMEL OR MILL

MODEL	GRID CORE DIMENSIONS
REF5-T	1/2 X 1/2 X 1/2
REF510-T	1/2 X 1/2 X 1
REF1-T	1 X 1 X 1

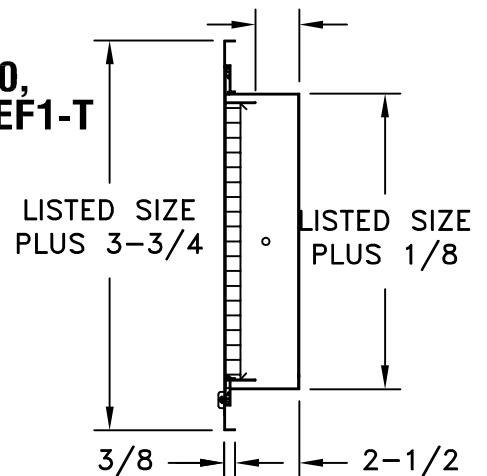


REF5-T 20x20



**REF5-T 44x20,
REF510-T, REF1-T**

CLEARANCE FOR FILTER
 REF5 = 1-1/8
 REF510 & REF1 = 1-7/8



JOB NAME: _____
 LOCATION: _____
 ARCHITECT: _____
 ENGINEER: _____
 CONTRACTOR: _____

SUBMITTED BY: _____

DATE: 07/26/2013 | SD-9482
REF5-T, REF510-T, REF1-T
 Extruded Aluminum
 Grid Core T-Bar
 Filter Grille