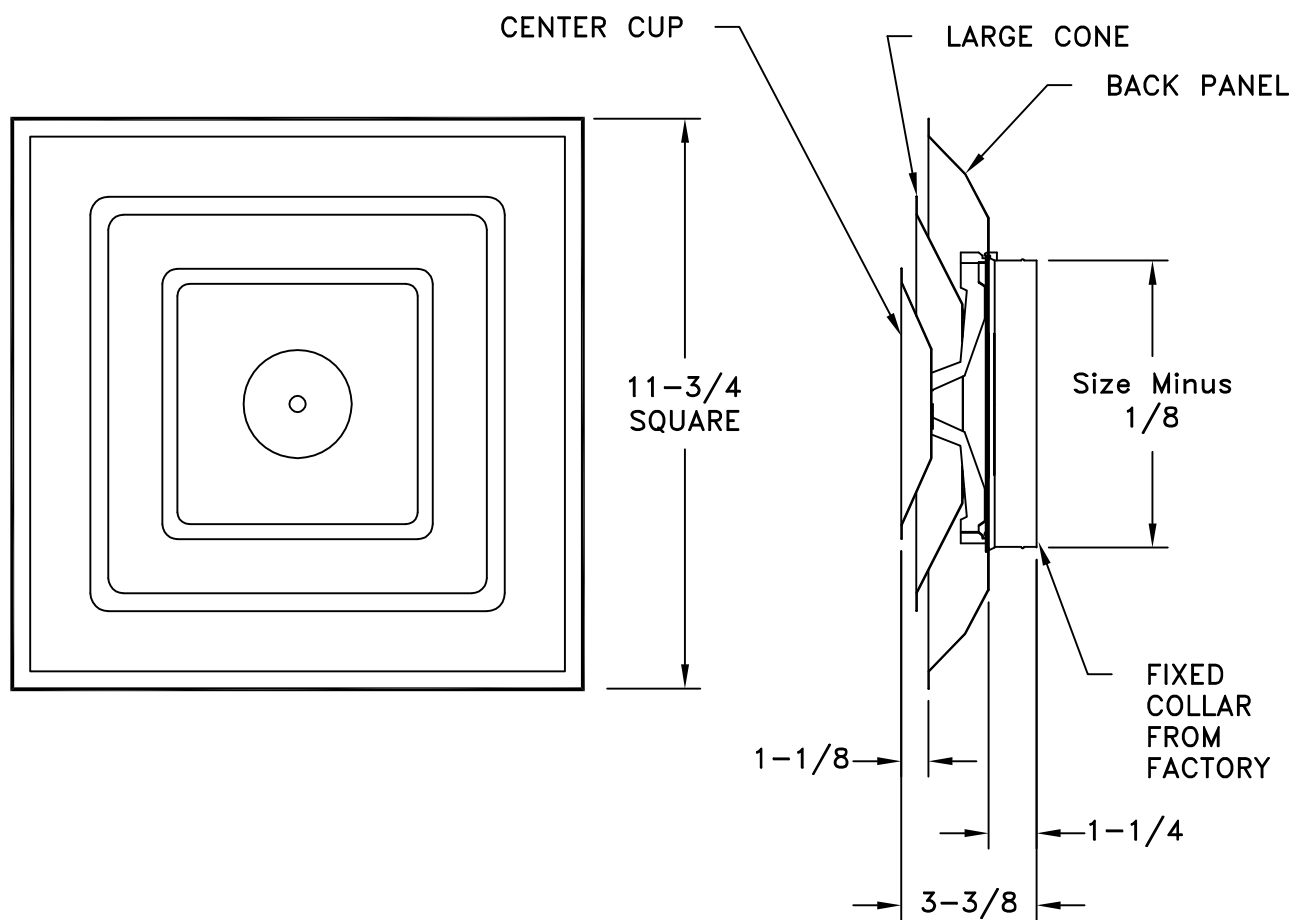


- ALL STEEL CONSTRUCTION
- FITS STANDARD 1' X 1' T-BAR CEILING SYSTEMS
- USE WITH SMF 12X12 FOR SURFACE MOUNT APPLICATIONS
- AVAILABLE IN 6, 7, 8 INCH COLLAR SIZES
- OPTIONAL RD RADIAL DAMPER ONLY
- 360° PATTERN
- FINISH: WHITE (W) ENAMEL



JOB NAME: _____	SUBMITTED BY: _____	DATE: 07/17/2013	SD-9442
LOCATION: _____		FPD12	
ARCHITECT: _____		Steel	
ENGINEER: _____		Fixed Pattern Diffuser	
CONTRACTOR: _____			