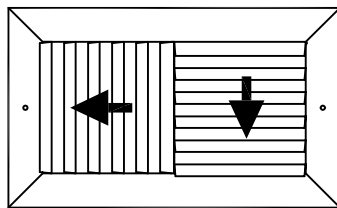
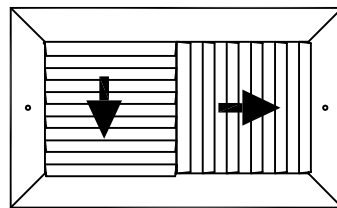


- EXTRUDED ALUMINUM CONSTRUCTION
- ADJUSTABLE BARS ON 1 INCH CENTERS
- SCREW HOLE LOCATIONS STANDARD UNLESS OTHERWISE SPECIFIED
- FOR SCREW HOLE LOCATIONS SEE SD-9140
- MINIMUM SIZE: 6 X 4
- MAXIMUM SIZE: 72 X 36 OR 36 X 96 ONE PIECE CONSTRUCTION WITH OPPOSED BLADE DAMPER;
- 36 X 36 WITH MULTI-SHUTTER DAMPER
- AVAILABLE IN 1 INCH INCREMENTS
- FINISH: WHITE (W) ENAMEL OR SATIN ANODIZED (SA)

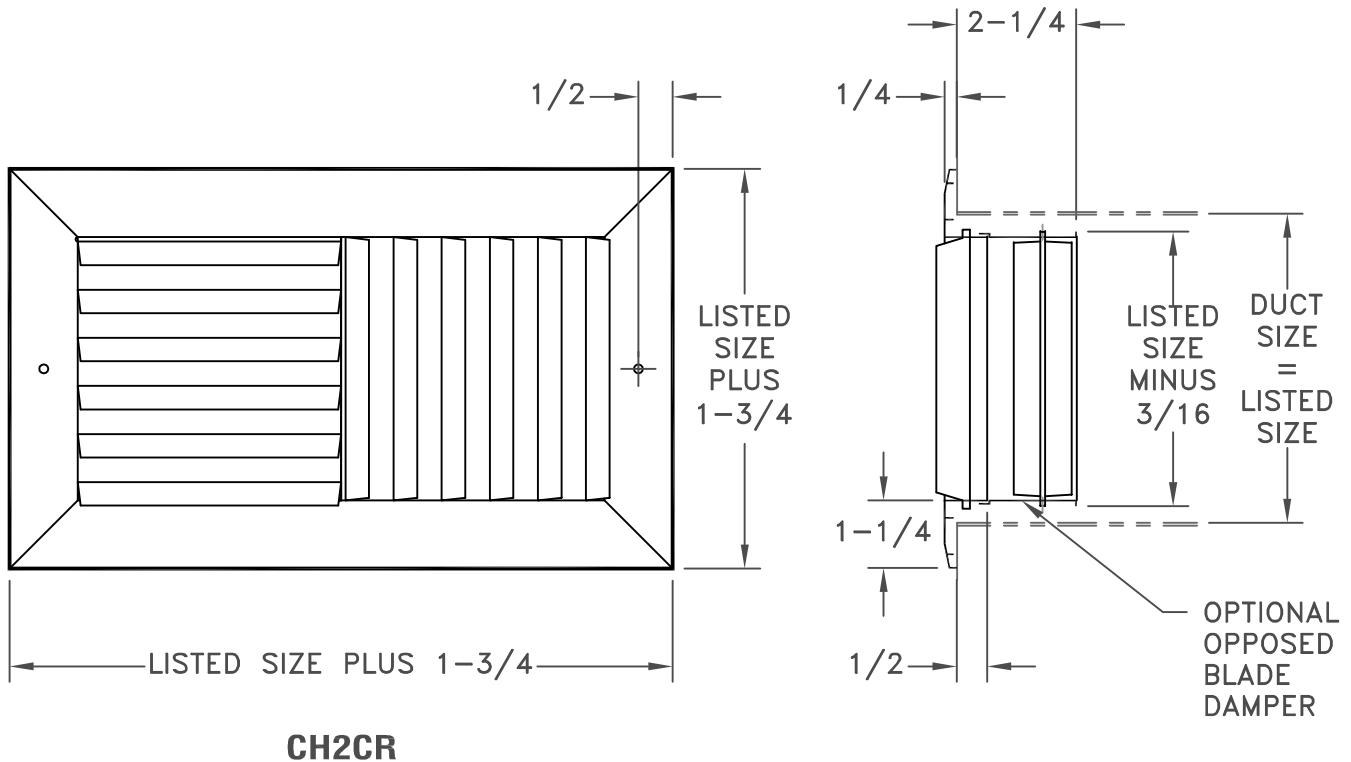


**CH2CL**



**CH2CR**

**AVAILABLE PATTERNS**



**CH2CR**

JOB NAME: \_\_\_\_\_  
 LOCATION: \_\_\_\_\_  
 ARCHITECT: \_\_\_\_\_  
 ENGINEER: \_\_\_\_\_  
 CONTRACTOR: \_\_\_\_\_

SUBMITTED BY: \_\_\_\_\_

DATE: 06/18/2013 | SD-9103

**C SERIES**  
 Extruded Aluminum  
 Adjustable Curved Blade  
 Registers And Grilles  
 2-Way Corner Air Patterns