

Model TLC Model HS/HSS

Installation Instructions Shielding Insulation Wrap (TLCSI)

**PLEASE READ ALL INSTRUCTIONS BEFORE BEGINNING YOUR INSTALLATION.
FAILURE TO INSTALL THIS COMPONENT IN ACCORDANCE WITH ALL INSTRUCTIONS
WILL VOID THE CONDITIONS OF CERTIFICATION AND THE MANUFACTURERS WARRANTY.
KEEP THESE INSTRUCTIONS IN A SAFE PLACE FOR FUTURE REFERENCE.**

The TLCSI is installed to stop cold air infiltration into the dwelling. The TLCSI can only be installed in conjunction with an installation of a wall thimble, attic insulation shield, or the cathedral ceiling support (TLCCSS, HS-RSA) for Model TLC and Model HS/HSS chimney.

- Model TLC is tested to:
- UL 103 HT
 - UL 127
 - CAN/ULC-S604
 - CAN/ULC-S610
 - CAN/ULC-S629
- Model HS/HSS is tested to:
- UL 103 HT



Required Cut Length	
Chimney Size	Length (L) in inches
5	31½
6	34½
7	37¾
8	41

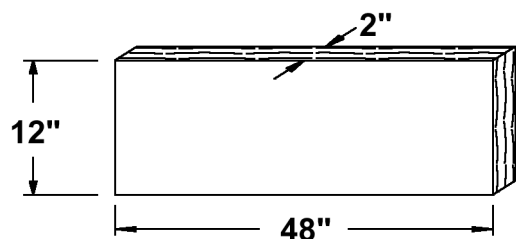


Figure 1 - Dimensions of the TLCSI

INSTALLATION PROCEDURES

Attic Insulation Shield

The TLCSI is placed between an insulated chimney length(s) and the inside of the attic insulation shield, fitted snugly to its beveled upper portion. The 2" thick insulation is cut to the appropriate length determined, as shown in the **Required Cut Length** table, and cut to the desired width determined by the installed attic insulation shield (see Figure 2). The TLCSI insulation can also be placed into the joist shield portion of the attic insulation shield (shown in Figure 2), for TLC chimney only.

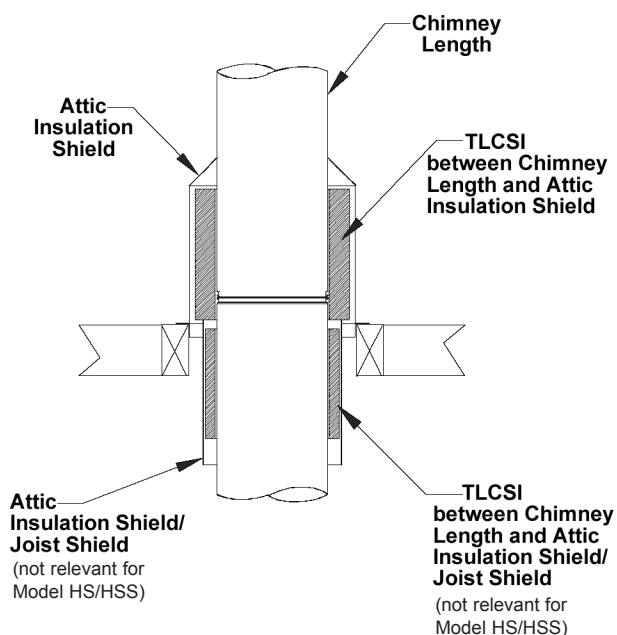


Figure 2 - Attic Insulation Shield/Joist Shield Installation

WARNING: A MAJOR CAUSE OF CHIMNEY-RELATED FIRES IS FAILURE TO MAINTAIN REQUIRED CLEARANCES (AIRSPACES) TO COMBUSTIBLE MATERIALS. REFER TO CHIMNEY INSTALLATION INSTRUCTIONS PACKAGED WITH CHIMNEY SUPPORT FOR DETAILED INSTRUCTIONS ON CHIMNEY

Wall Thimble (Model TLC chimney)

Cut a piece of TLCSI to 41³/₁₆" by 4³/₄". Once the insulation has been cut to the appropriate size, the thickness of the insulation needs to be cut in half, resulting in two equal parts of 1" each in thickness (see Figure 3). Place one-half of the insulation around the outside of the inner half of the wall thimble, and one-half of the insulation inside of the outer half, as per Figures 4 and 5. See separate installation instructions packaged with the wall support for the installation of the

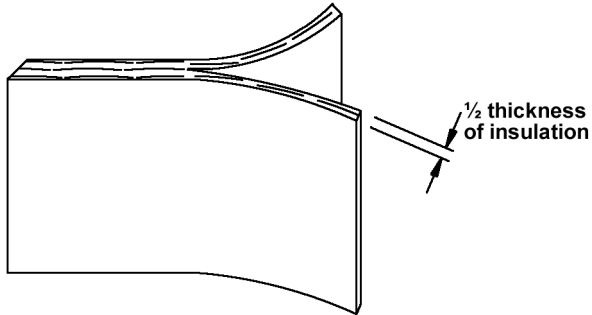


Figure 3 - TLCSI shown cut in half

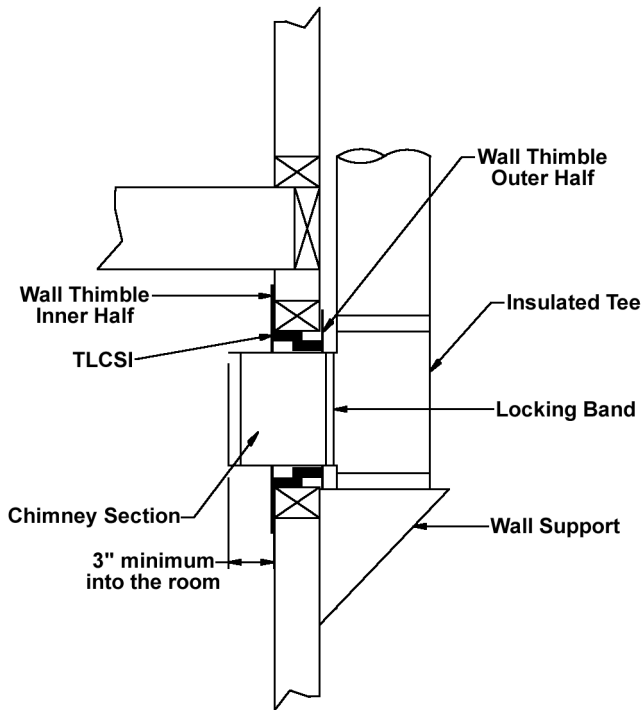


Figure 4 - Wall Thimble showing insulation in place

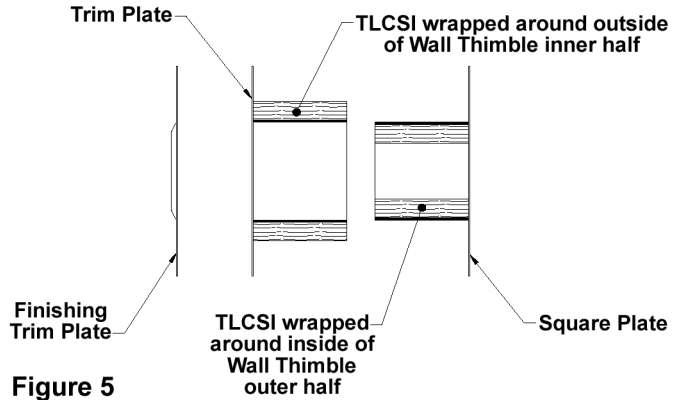


Figure 5

wall thimble.

Wall Thimble (Model HS/HSS chimney)

The insertion of the TLCSI Insulation is best accomplished once the outer portion of the Wall Thimble, Wall Support, Insulated Tee and the appropriate chimney length attached to the Tee branch have been installed, as per the supplied installation instructions relevant for each.

Cut the TLCSI Insulation to the required length determined in the tables on the front page. The TLCSI Insulation is wrapped between the chimney length and the outer portion of the outer half of the Wall Thimble as per Figures 6 and 7. Remaining TLCSI Insulation is then stuffed in the corner voids between the round shield and the framed opening (Figure 6).

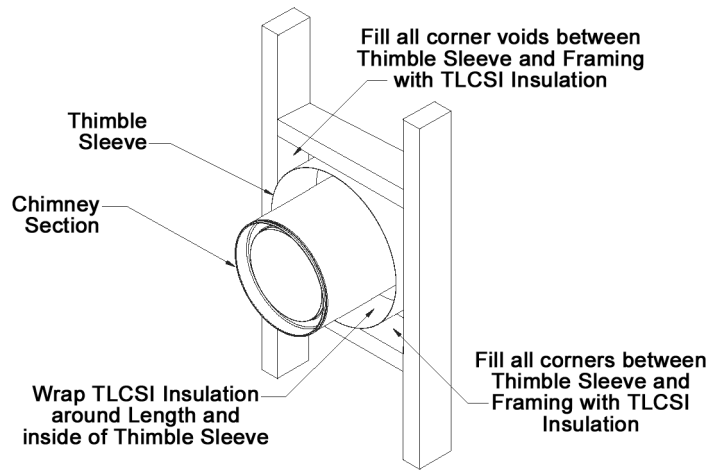


Figure 6 - Placement of TLCSI Insulation for Model HS/HSS

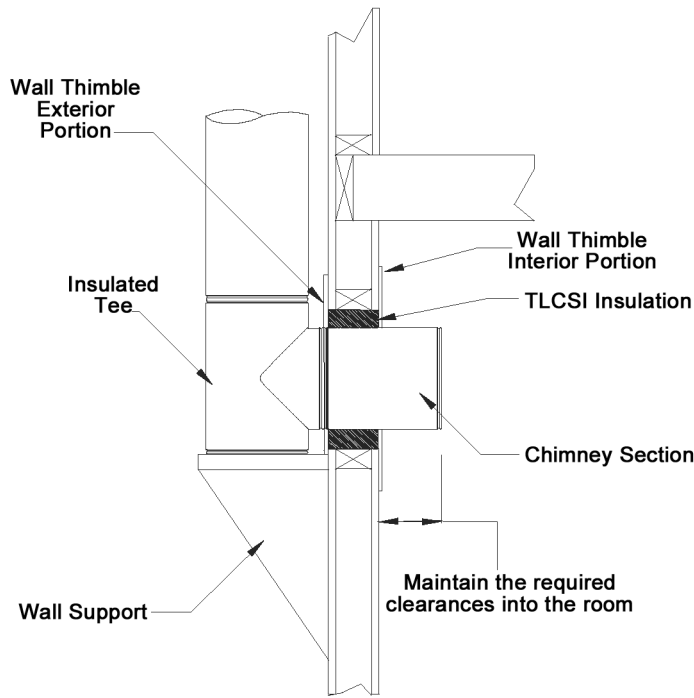


Figure 7 - Wall Thimble Showing Insulation in place with Model HS/HSS Chimney

Cathedral Ceiling Support

The TLCSI is wrapped between the chimney section and the cathedral ceiling support, as shown in Figure 8. The wrapped insulation may be placed directly to the underside of the roof. Cut the TLCSI to the required width determined as shown in the **Required Cut Length** table.

A cathedral support installation height in excess of 12" will require additional TLCSI. The corner voids of the cathedral ceiling support may be filled using the remaining insulation.

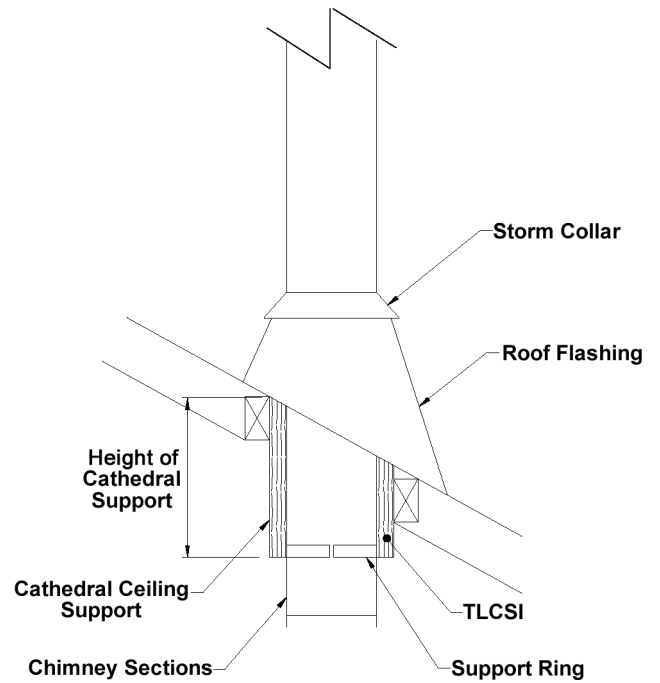


Figure 8 - Cathedral Ceiling Support with TLCSI



hartandcooley.com
(800) 433-6341