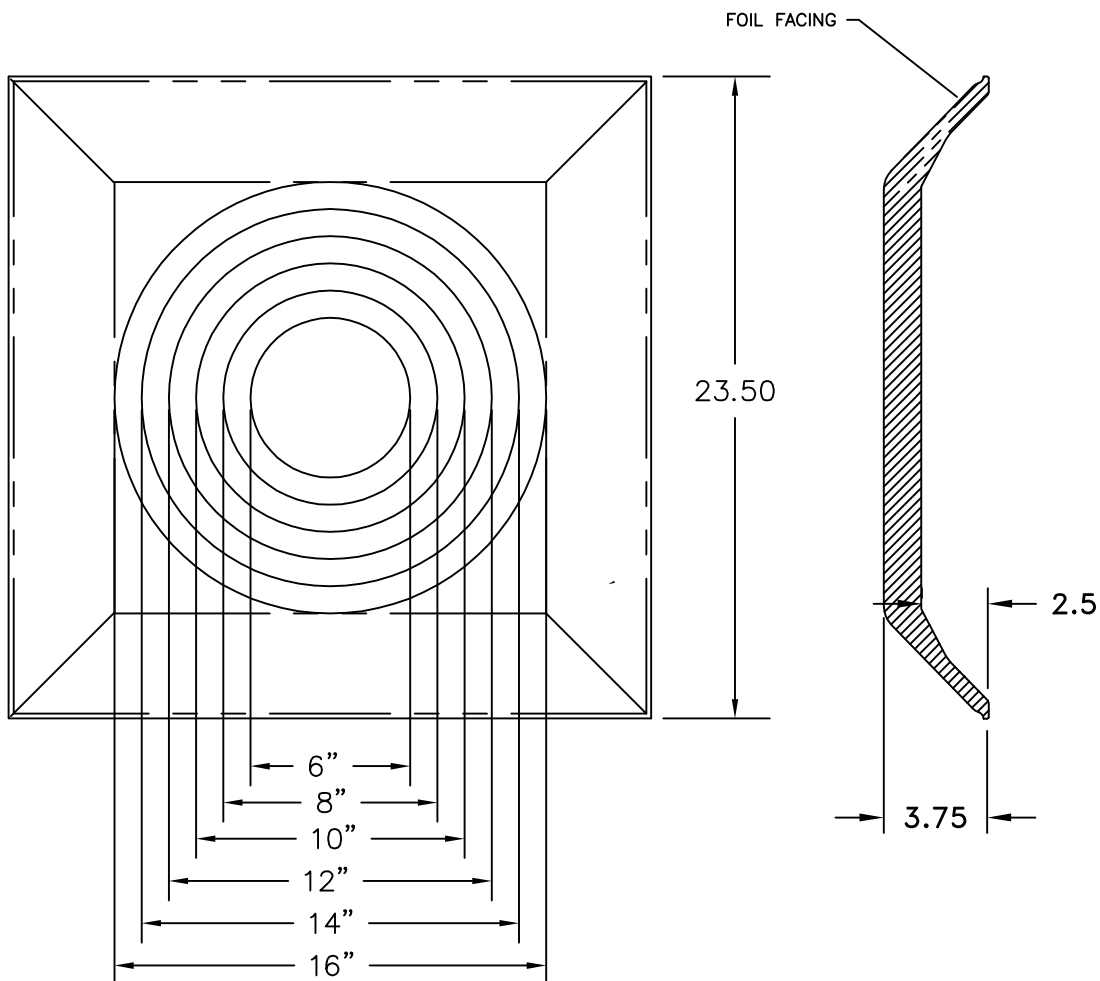


- MOLDED FOIL FACE R6 FIBERGLASS
(THERMAL CONDUCTIVITY APPROX = 0.21 @ 75°F)
- LAYS ON BACK OF MOST STANDARD 2' x 2' T-BAR DIFFUSERS
- HAS 6"-16" SCORING, EVEN NUMBERS
- PASSES 25/50 FLAME AND SMOKE SPREAD ASTM E84 TEST
TO BE PERMITTED INTO CEILING/PLENUM SPACES
- MOLD RESISTANT
- UL 181 EROSION AND IMPACT TEST



PN: 016429

JOB NAME: _____	SUBMITTED BY: _____	DATE: 05/09/2013	SD-9510
LOCATION: _____		R6 Molded Back	
ARCHITECT: _____		Universal Insulation Back	
ENGINEER: _____		For T-bar Diffusers	
CONTRACTOR: _____			