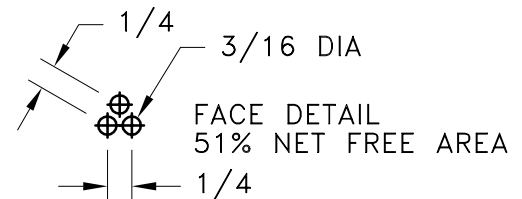
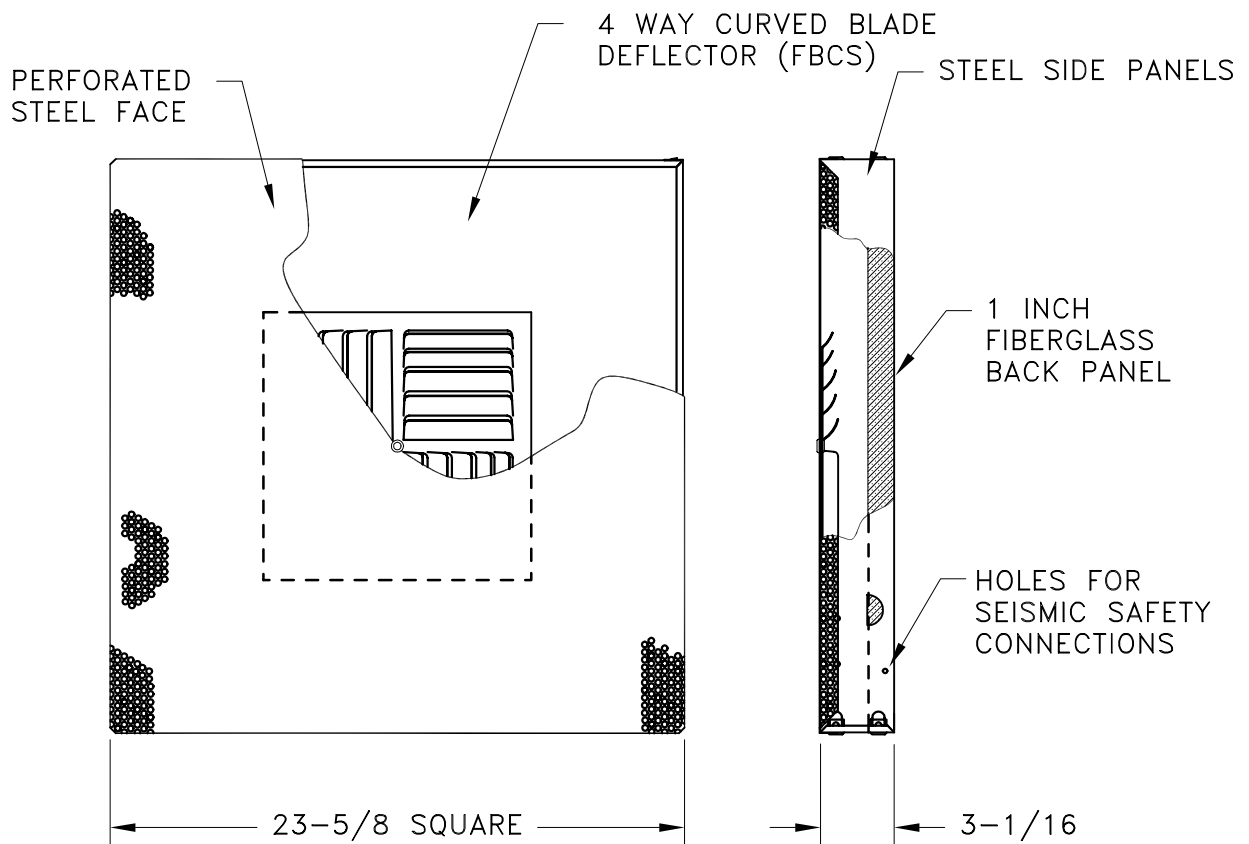


- FBCS – SUPPLY DIFFUSER WITH 4-WAY DEFLECTOR
- FBR – RETURN WITHOUT DEFLECTOR
- 1 IN. THICK FIBERGLASS BACK PANEL WITH FOIL VAPOR BARRIER
- BACK WITH PREPRINTED TEMPLATE ACCEPTS 6 – 18 INCH SPIN OR TAB COLLARS
- APPROVED FOR USE IN THE CITY OF LOS ANGELES, RR – 7811
- IT IS RECOMMENDED THAT DIFFUSERS INSTALLED IN GRID CEILING SYSTEMS BE SUPPORTED INDEPENDENT OF THE CEILING HARDWARE.
- FINISH: WHITE (W) FACE WITH BLACK BACK, SIDES AND DEFLECTOR FOR MINIMUM SEE THROUGH



JOB NAME: _____	SUBMITTED BY: _____	DATE: 8/27/98	SD-9430
LOCATION: _____		FBCS, FBR	
ARCHITECT: _____		Steel T-Bar Fiberglass Back	
ENGINEER: _____		Perforated Face Grille	
CONTRACTOR: _____			