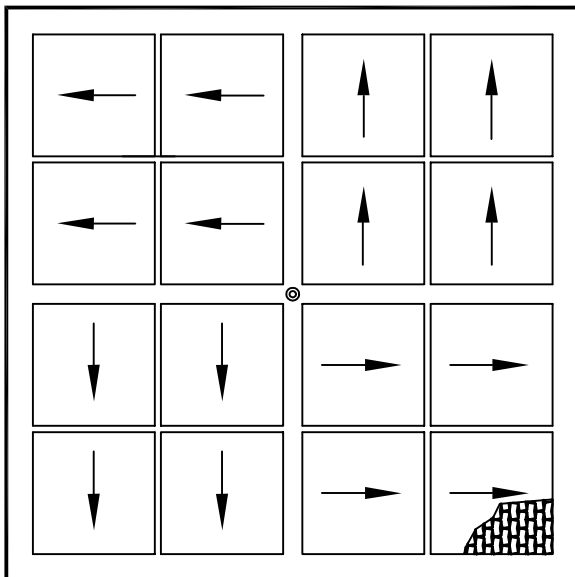


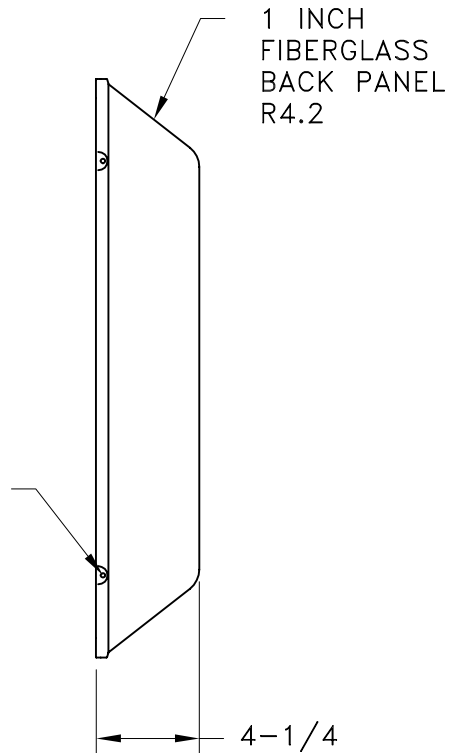
- FITS STANDARD 2' X 2' T-BAR CEILING SYSTEM
- EXCLUSIVE PATENTED DEFLECTOR APERTURES
- BONDED FOIL VAPOR BARRIER HELPS MINIMIZE CONDENSATION PROBLEMS
- FIBERGLASS BACK ABSORBS SOUND
- APPROVED FOR USE IN THE CITY OF LOS ANGELES, RR - 7811
- PRESCORED BACK ACCEPTS 6 TO 14 INCH SPIN OR TAB COLLARS
- FINISH: WHITE (W) ENAMEL

→
INDICATES AIR FLOW DIRECTION
(4-WAY SHOWN)



← 23-3/4 SQUARE →

SEISMIC SAFETY CONNECTIONS
(8 TOTAL
2 PER SIDE)



JOB NAME: _____	SUBMITTED BY: _____	DATE: 3/13/01	SD-9485
LOCATION: _____		REN4 Fiberglass Back T-Bar Diffuser	
ARCHITECT: _____			
ENGINEER: _____			
CONTRACTOR: _____			