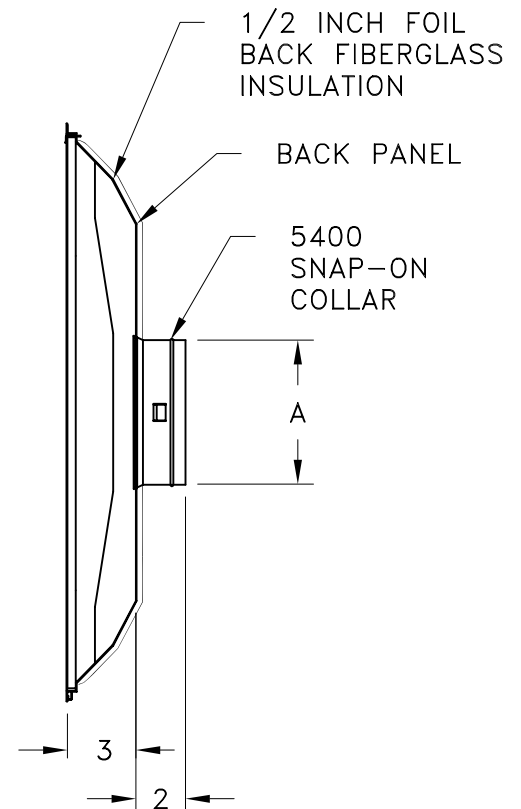
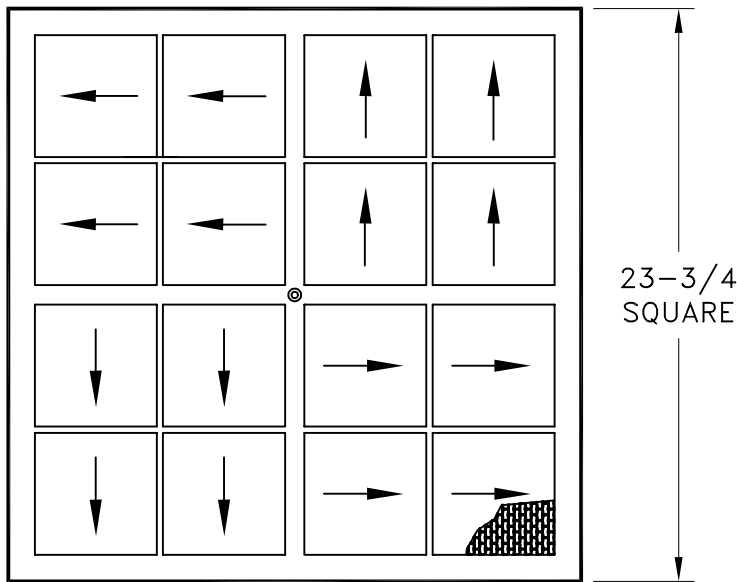
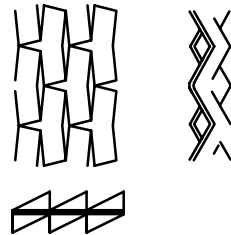


- AVAILABLE IN 1-WAY (441), 2-WAY (442), 3-WAY (443), 2-WAY CORNER (445) AND 4-WAY (444) (SHOWN)
- FITS STANDARD 2' X 2' T-BAR CEILING SYSTEM
- EXCLUSIVE PATENTED DEFLECTOR APERTURES
- AVAILABLE IN 6-14 INCH SIZES
- OPTIONAL NO. 5400 SERIES COLLARS SEE SD-9501 (14 INCH COLLAR IS MOUNTED TO DIFFUSER AT FACTORY)
- .024 TEMPERED ALUMINUM ALLOY, STUCCO EMBOSSED FACE
- OPTIONAL #3800 BUTTERFLY DAMPER AVAILABLE FOR ALL SIZES SEE SD-9500
- IT IS RECOMMENDED THAT DIFFUSERS INSTALLED IN GRID CEILINGS BE SUPPORTED INDEPENDENT OF THE CEILING HARDWARE
- FINISH: WHITE (W) ON THE FACE
- STEEL BACK PANEL WITH BLACK POLYESTER PAINT FINISH

→
INDICATES AIR FLOW DIRECTION
(4-WAY SHOWN)



SIZE	A
6	5-7/8
8	7-7/8
10	9-7/8
12	11-7/8
14	13-7/8



FACE DETAIL

JOB NAME: _____	SUBMITTED BY: _____	DATE: 2/8/99	SD-9400
LOCATION: _____	444 SURFAIRE ® Aluminum Ceiling Diffuser		
ARCHITECT: _____			
ENGINEER: _____			
CONTRACTOR: _____			