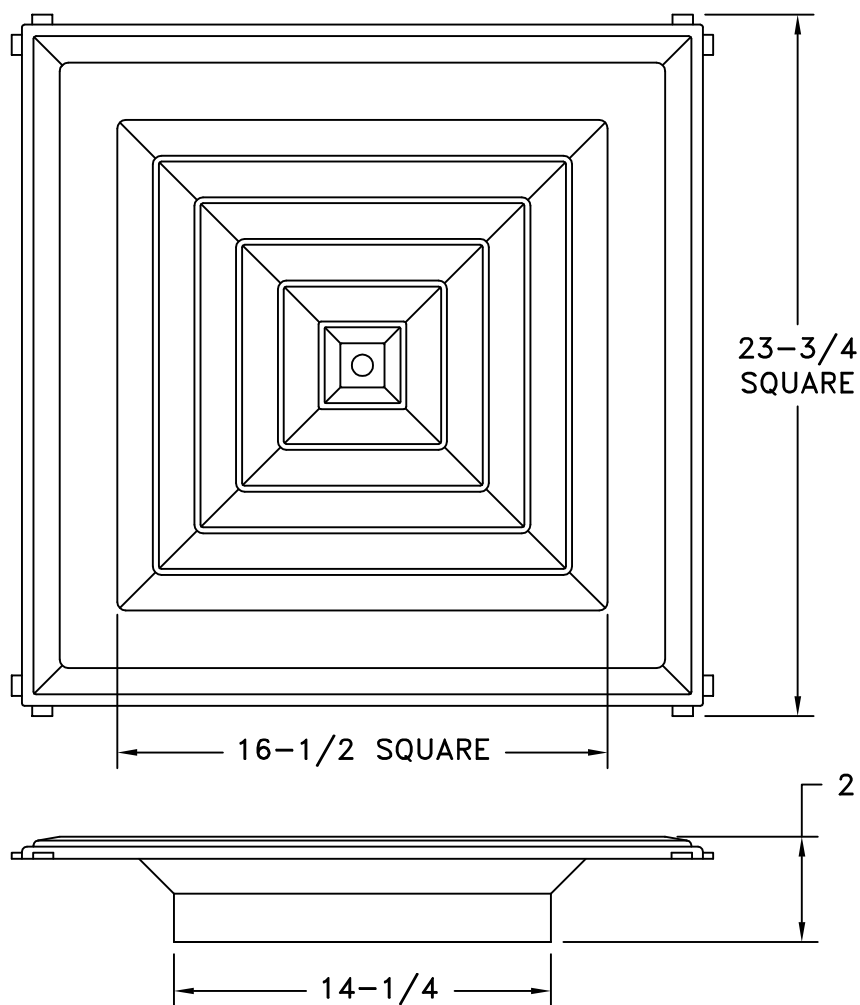


- ENGINEERED POLYMER CONSTRUCTION
- 4-WAY DEFLECTION
- SQUARE TO ROUND ADAPTER AVAILABLE IN 6", 8", 10", 12" AND 14" SIZES. MUST BE ORDERED SEPARATELY, MODEL **RZSR**.
- CONTAINS METAL SCREWS ON BACKSIDE OF DIFFUSER TO AFFIX CORE
- REMOVEABLE CENTER PLUG TO ADJUST OPTIONAL RD DAMPER FOR RZSR
- DIFFUSERS INSTALLED IN GRID CEILING SYSTEMS SHOULD BE SUPPORTED INDEPENDENT OF THE CEILING HARDWARE
- FINISH: WHITE (W)



JOB NAME: _____
 LOCATION: _____
 ARCHITECT: _____
 ENGINEER: _____
 CONTRACTOR: _____

SUBMITTED BY: _____

DATE: 01/15/08

SD-2153

RZSRT
 Plastic T-Bar
 Louvered Diffuser