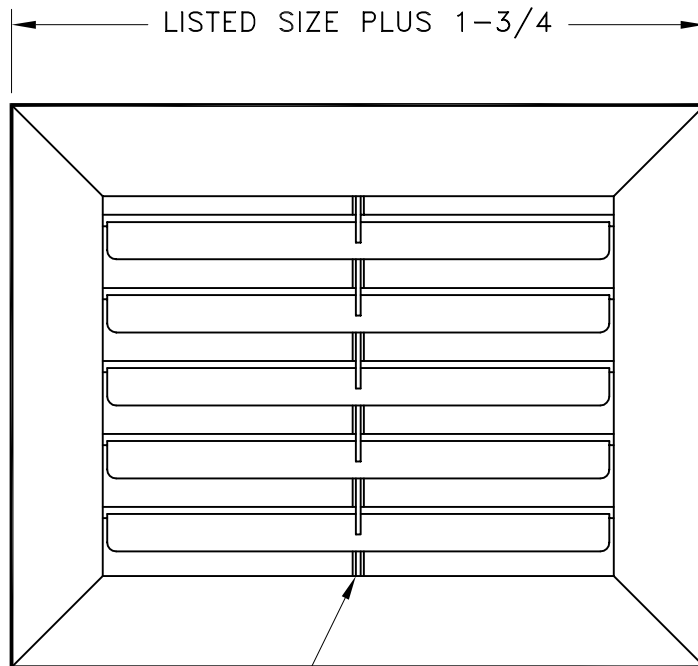
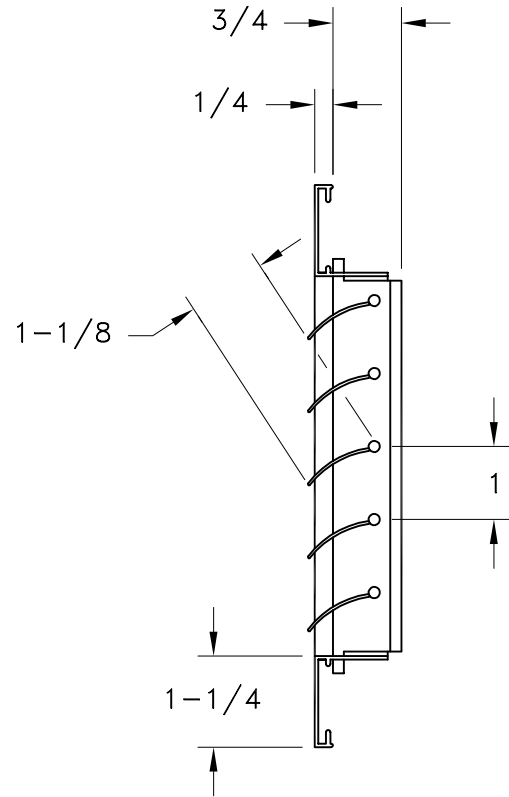


- EXTRUDED ALUMINUM CONSTRUCTION
- DEFLECTED CURVED BLADES – 1 INCH SPACING
- FITS STANDARD T-BAR CEILINGS
- FINISH: WHITE (W) ENAMEL OR SATIN ANODIZED (SA)



SUPPORT BARS
18 INCH ON CENTER



T-BAR	LISTED SIZE	OVERALL
24 X 12	22 X 10	23-3/4 X 11-3/4
24 X 24	22 X 22	23-3/4 X 23-3/4
48 X 24	46 X 22	47-3/4 X 23-3/4

JOB NAME: _____	SUBMITTED BY: _____	DATE: 8/27/98	SD-9475
LOCATION: _____		RCB-T Extruded Aluminum, T-Bar Curved Blade Return Grille	
ARCHITECT: _____			
ENGINEER: _____			
CONTRACTOR: _____			