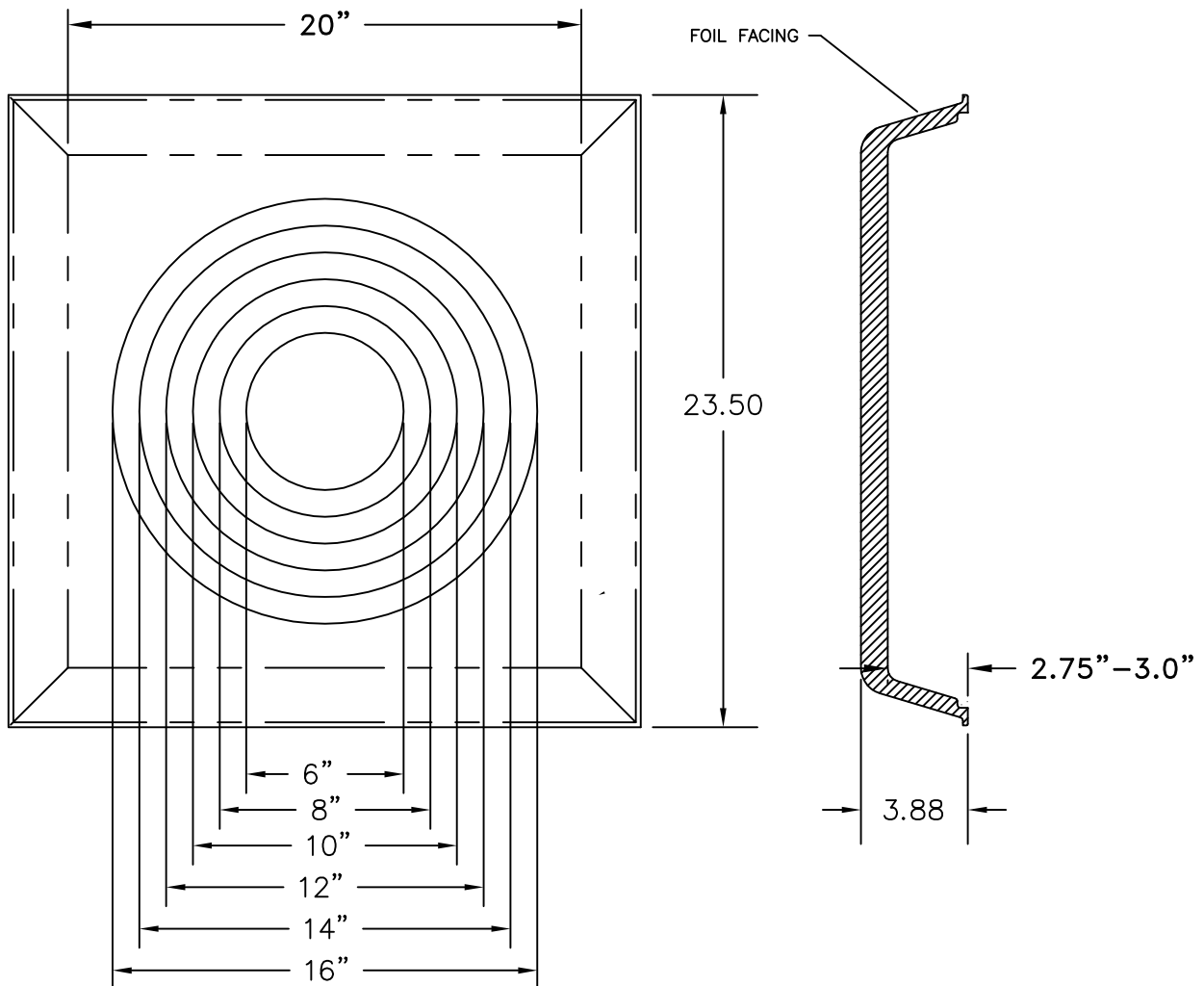


- MOLDED FOIL FACE R4.2 FIBERGLASS  
(THERMAL CONDUCTIVITY APPROX = 0.24 @ 75°F)
- LAYS ON BACK OF MOST STANDARD 2' x 2' T-BAR DIFFUSERS
- HAS 6"–16" SCORING, EVEN NUMBERS
- PASSES 25/50 FLAME AND SMOKE SPREAD ASTM E84 TEST  
TO BE PERMITTED INTO CEILING/PLENUM SPACES
- MOLD RESISTANT
- UL 181 EROSION AND IMPACT TEST
- LOS ANGELES CITY COMPLIANT



PN: 010147

JOB NAME: _____	SUBMITTED BY: _____	DATE: 6/2/09	SD-9509
LOCATION: _____		<b>R4.2 Molded Back</b> Universal Insulation Back For T-bar Diffusers	
ARCHITECT: _____			
ENGINEER: _____			
CONTRACTOR: _____			