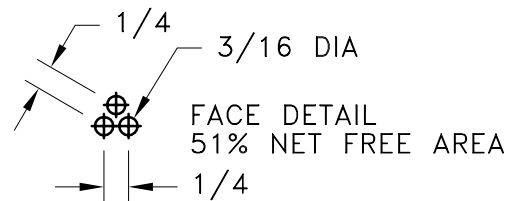
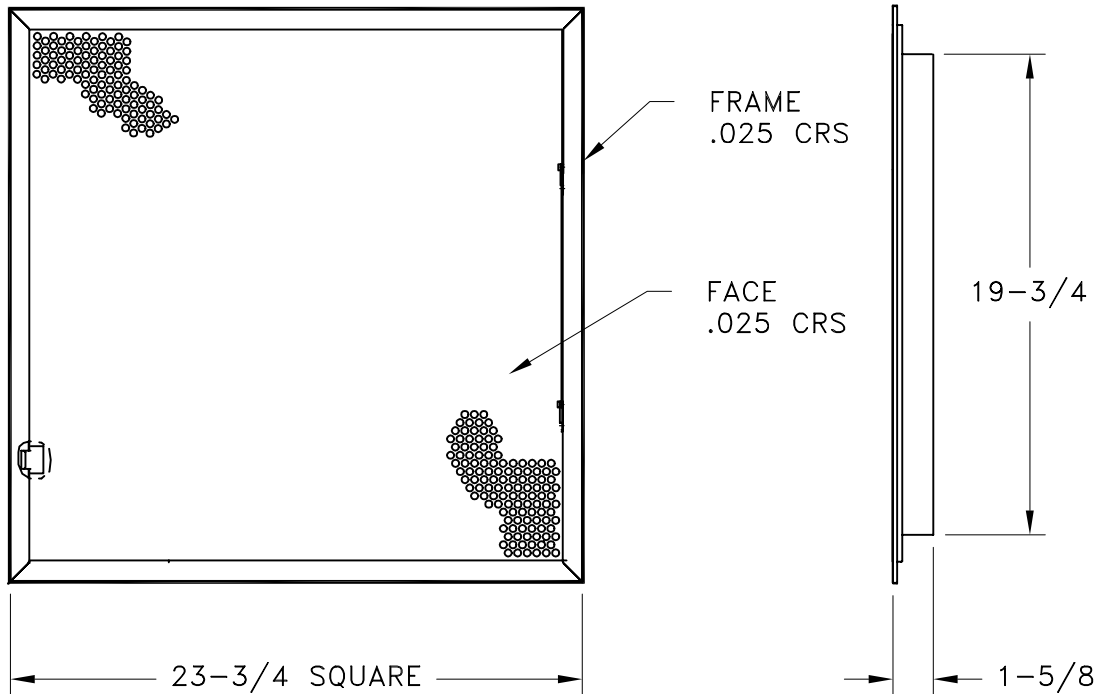


- FLUSH, REMOVABLE FACE WITH HIDDEN LATCHES AND HINGES CAN BE INSTALLED IN ANY DIRECTION
- USES NOMINAL 1 x 20 x 20 INCH STANDARD FILTERS (BY OTHERS)
- FINISH: WHITE (W) ENAMEL



JOB NAME: _____	SUBMITTED BY: _____	DATE: 9/8/98	SD-9454
LOCATION: _____		PFT Steel T-Bar Perforated Face Filter Grille	
ARCHITECT: _____			
ENGINEER: _____			
CONTRACTOR: _____			