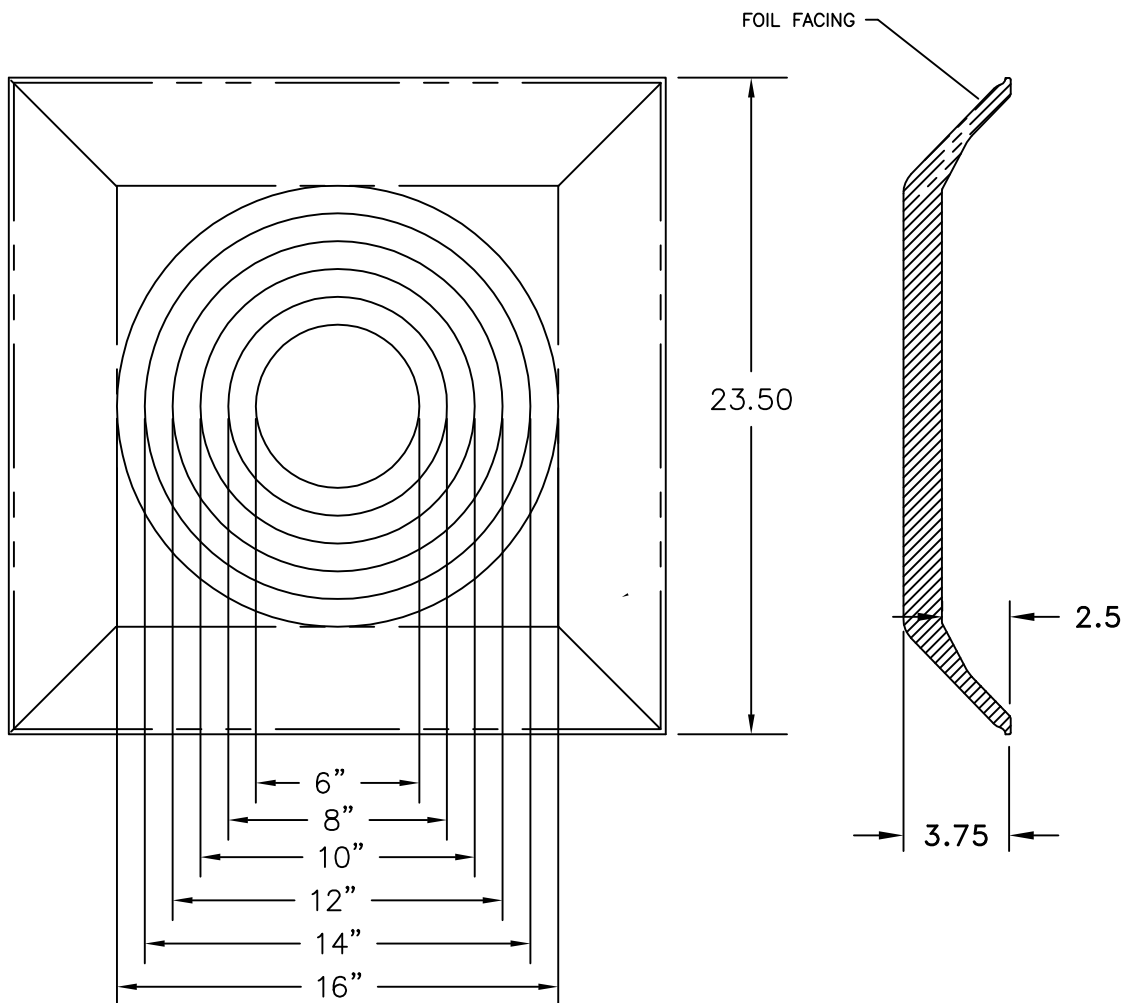


- MOLDED FOIL FACE R6 FIBERGLASS
(THERMAL CONDUCTIVITY APPROX = 0.21 @ 75°F)
- LAYS ON BACK OF MOST STANDARD 2' x 2' T-BAR DIFFUSERS
- HAS 6"-16" SCORING, EVEN NUMBERS
- PASSES 25/50 FLAME AND SMOKE SPREAD ASTM E84 TEST
TO BE PERMITTED INTO CEILING/PLENUM SPACES
- MOLD RESISTANT
- UL 181 EROSION AND IMPACT TEST
- LOS ANGELES CITY COMPLIANT



PN: 016429

JOB NAME: _____
 LOCATION: _____
 ARCHITECT: _____
 ENGINEER: _____
 CONTRACTOR: _____

SUBMITTED BY: _____

DATE: 6/2/09

SD-9510

R6 Molded Back
 Universal Insulation Back
 For T-bar Diffusers