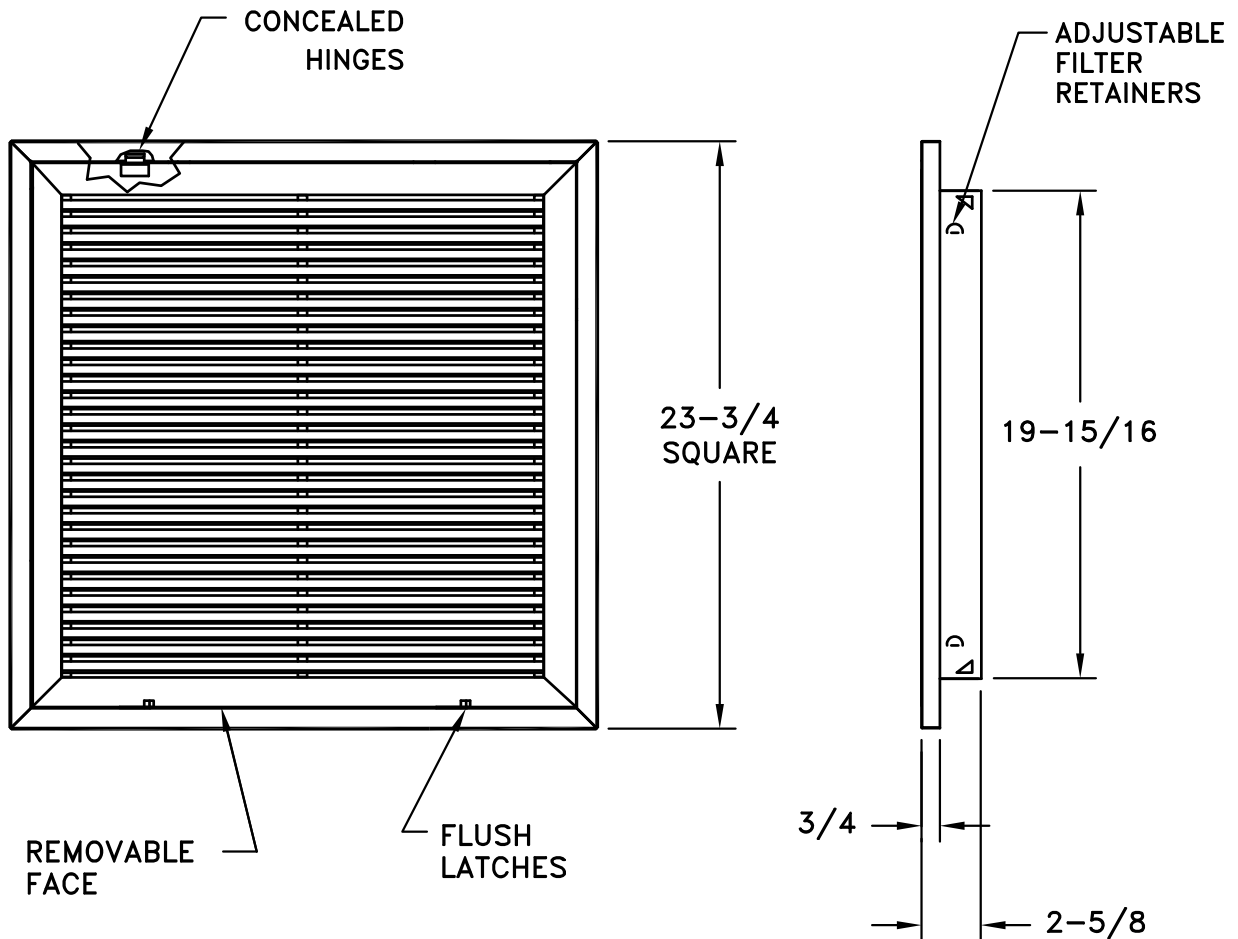


- STEEL CONSTRUCTION
- REMOVABLE FACE WITH CONCEALED HINGES AND FLUSH LATCHES
- 3/4 INCH SPACED FINS SET AT 35 DEGREES
- USES NOMINAL 1 x 20 x 20 INCH DISPOSABLE FILTERS
- EQUIPPED WITH FILTER RETAINERS
- FINISH: WHITE (W) ENAMEL



JOB NAME: _____
 LOCATION: _____
 ARCHITECT: _____
 ENGINEER: _____
 CONTRACTOR: _____

SUBMITTED BY: _____

DATE: 9/28/11

SD-9410

96AFB T
 Steel 2 x 2 T-Bar
 Fixed Bar Filter Grille