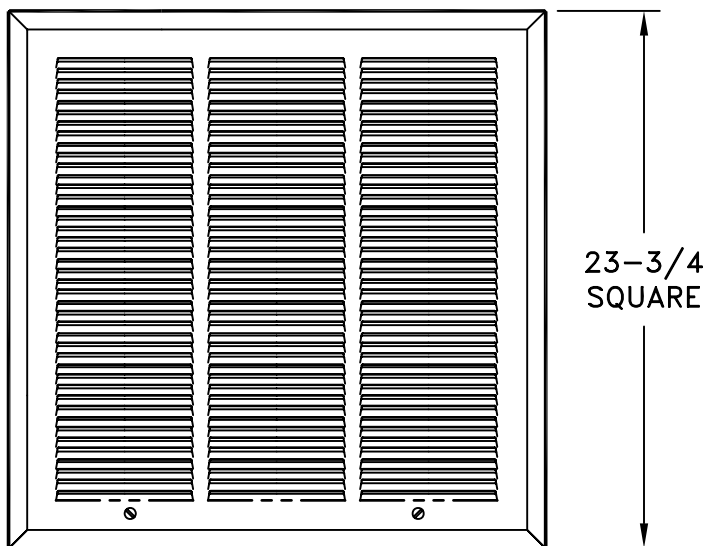
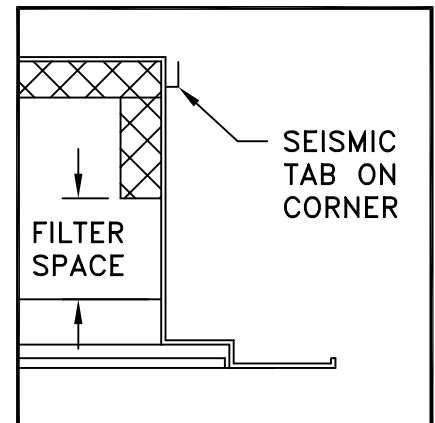
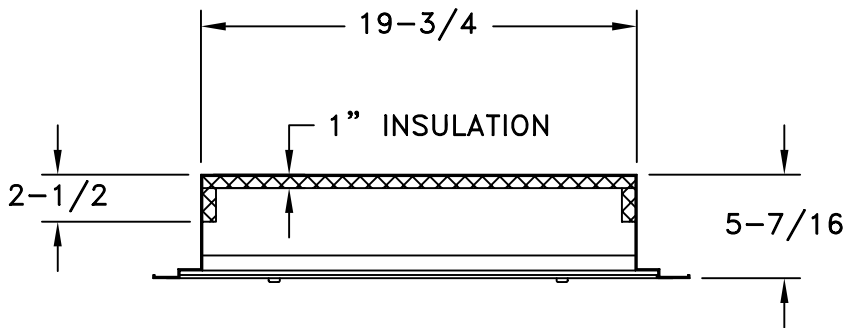


- STEEL CONSTRUCTION
- INSULATED 1" FIBERGLASS PLENUM R6 WITH ALUMINUM FOIL BARRIER
- 24" X 24" T-BAR LAY-IN
- STAMPED FACE HAS FINS ON 1/2" CENTERS AT 35 DEGREE DEFLECTION
- CONCEALED PERMANENT PIANO HINGES
- ACCEPTS STANDARD 20" X 20" X 1" FILTER (NOT INCLUDED)
- EARTHQUAKE TABS INCLUDED
- FIBERGLASS PLENUM TESTED IN COMPLIANCE WITH SURFACE BURNING CHARACTERISTICS (UL 723, ASTM E-84 AND EROSION TEST (UL181))
- STANDARD FINISH IS WHITE



JOB NAME: _____	SUBMITTED BY: _____	DATE: 8/26/09	SD-9403
LOCATION: _____		673TPI T-Bar Filter Grille With R6 Fiberglass Plenum	
ARCHITECT: _____			
ENGINEER: _____			
CONTRACTOR: _____			