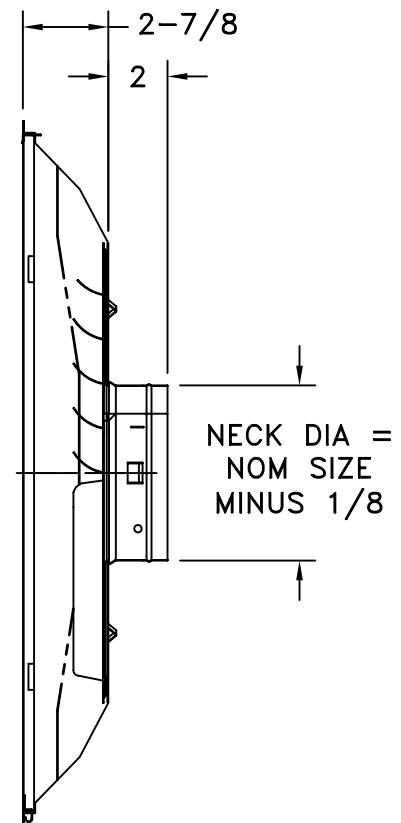
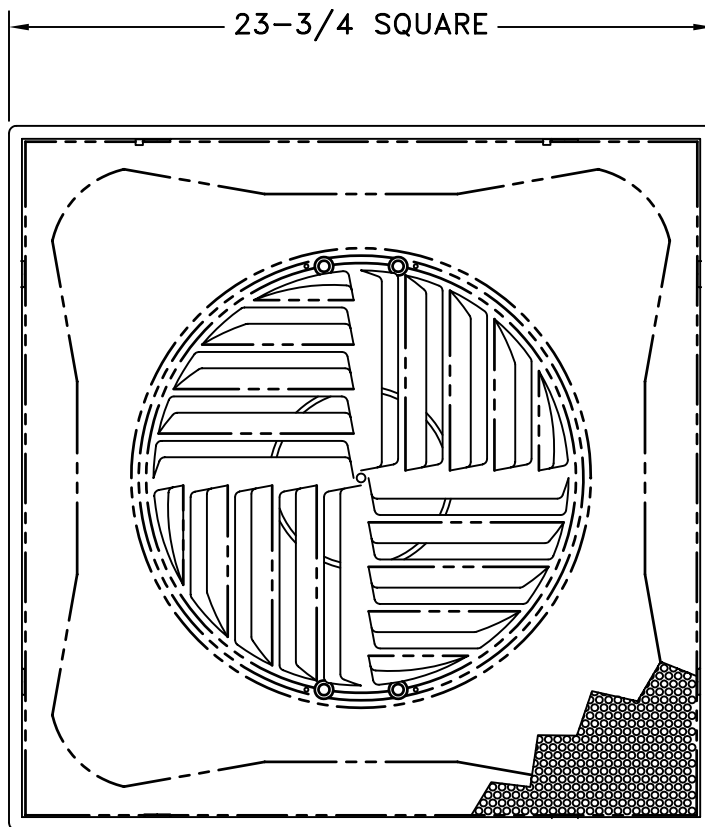
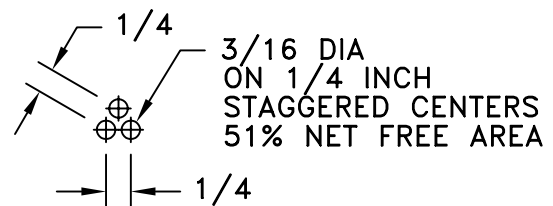


- FITS STANDARD 2' X 2' T-BAR CEILING SYSTEMS
- AVAILABLE IN 6-14 INCH COLLAR SIZES
- HINGED/LATCHED FACE ALLOWS FOR EASY ACCESS TO OPTIONAL DAMPER
- FIXED 4-WAY CURVED DEFLECTORS
- EARTHQUAKE TABS ARE OPTIONAL
- MATCHING CBPR RETURN AVAILABLE
- IT IS RECOMMENDED THAT DIFFUSERS INSTALLED IN GRID CEILING SYSTEMS BE SUPPORTED INDEPENDENT OF THE CEILING HARDWARE.
- FINISH: WHITE (W) ENAMEL ON FACE AND BACK



FACE DETAIL



JOB NAME: _____
 LOCATION: _____
 ARCHITECT: _____
 ENGINEER: _____
 CONTRACTOR: _____

SUBMITTED BY: _____

DATE: 07/28/04

SD-9417

SCBPS SUPPLY
 Steel Removable Face
 Perforated Diffuser