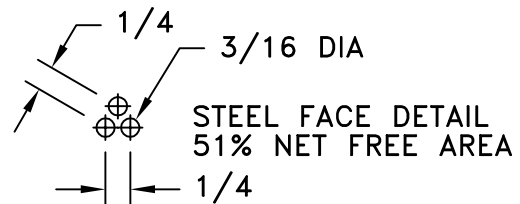
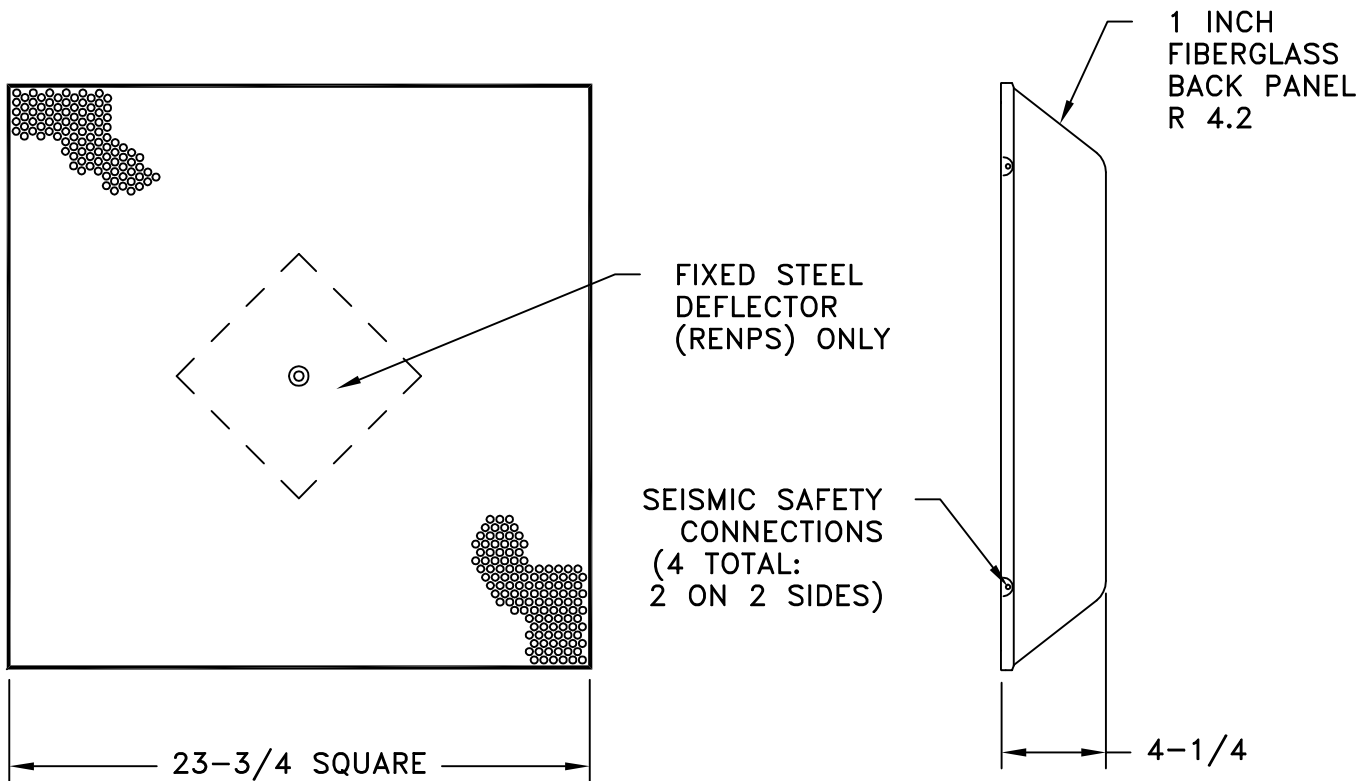


- FITS STANDARD 2' X 2' T-BAR CEILING SYSTEMS
- DIRECTIONAL DEFLECTOR INCLUDED ON MODEL RENPS
- BONDED FOIL VAPOR BARRIER HELPS MINIMIZE CONDENSATION PROBLEMS
- FIBERGLASS BACK R 4.2 ABSORBS SOUND
- APPROVED FOR USE IN THE CITY OF LOS ANGELES, RR - 7811
- PRESCORED BACK ACCEPTS 6 TO 14 INCH SPIN OR TAB COLLARS
- FINISH: WHITE (W)



JOB NAME: _____	SUBMITTED BY: _____	DATE: 1/14/09	SD-9486
LOCATION: _____		REN, RENPS- R4.2 Perforated T-Bar Diffusers Fiberglass Back	
ARCHITECT: _____			
ENGINEER: _____			
CONTRACTOR: _____			