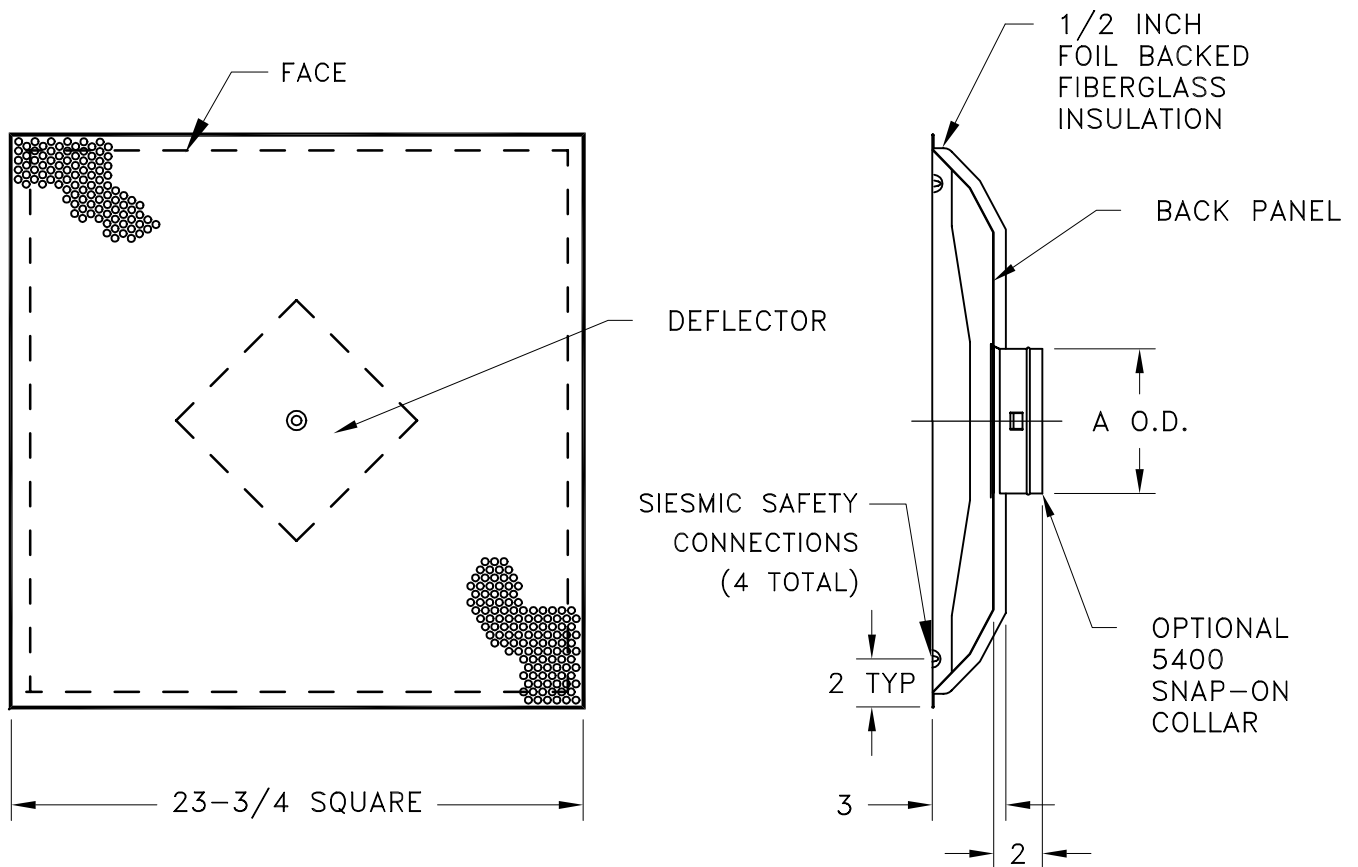
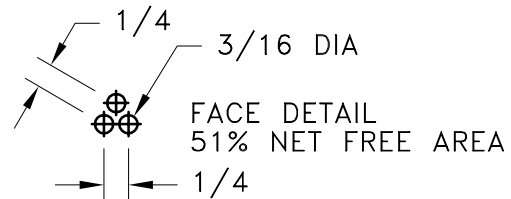


- STEEL CONSTRUCTION
- FITS STANDARD 2' X 2' T-BAR CEILING SYSTEMS
- AVAILABLE IN 6-14 INCH SIZES
- OPTIONAL NO. 5400 SERIES COLLARS
(14 INCH COLLAR IS MOUNTED TO DIFFUSER AT FACTORY)
- OPTIONAL ADJUSTABLE STEEL NO. 3800 BUTTERFLY DAMPER AVAILABLE FOR ALL SIZES
- FINISH: WHITE (W) ON THE FACE WITH BLACK POLYESTER PAINT FINISH ON THE BACK PANEL



SIZE	A O.D.
6	5-7/8
8	7-7/8
10	9-7/8
12	11-7/8
14	13-7/8



JOB NAME: _____	SUBMITTED BY: _____	DATE: 8/28/98	SD-9452
LOCATION: _____	PDS Steel Perforated Diffuser		
ARCHITECT: _____			
ENGINEER: _____			
CONTRACTOR: _____			