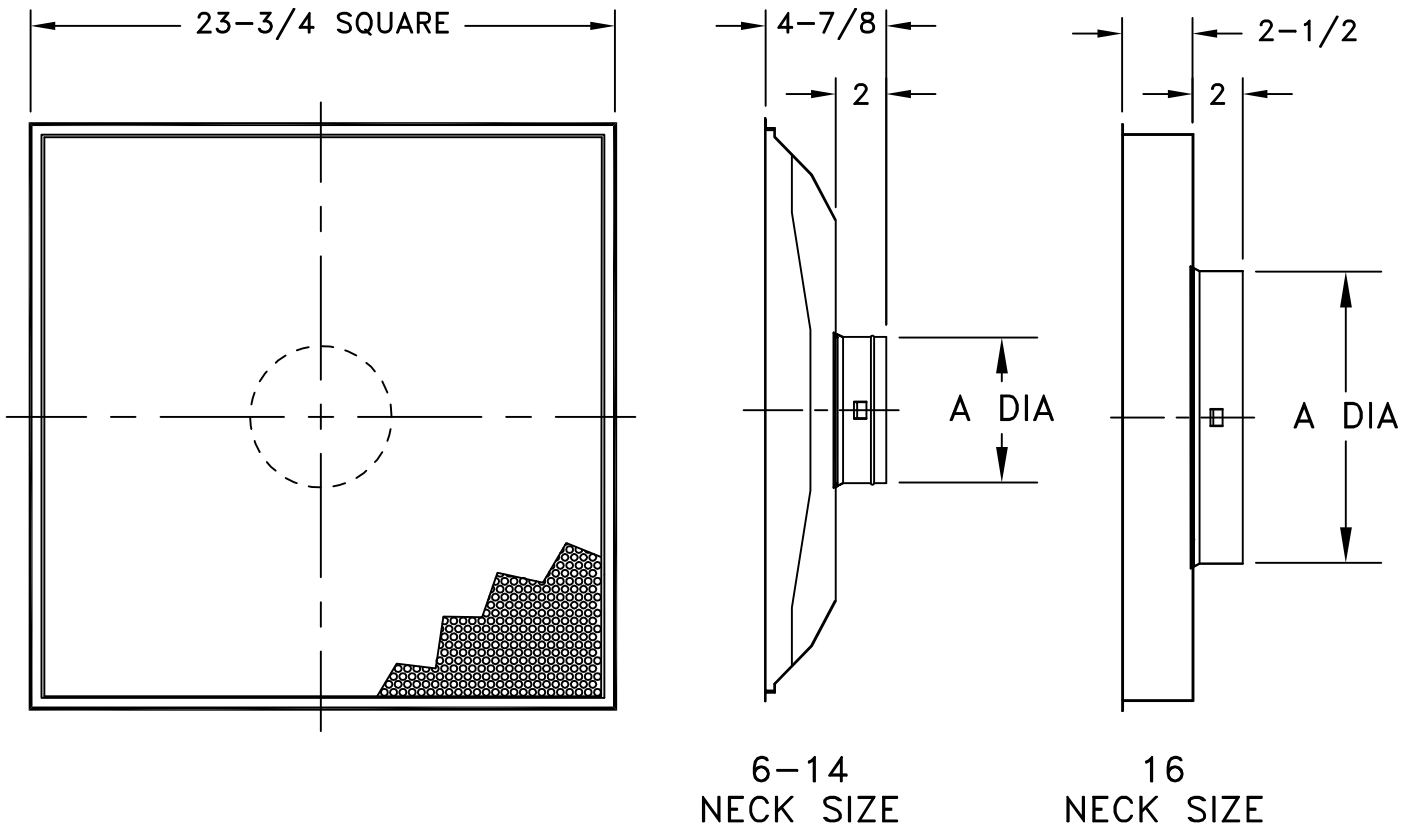
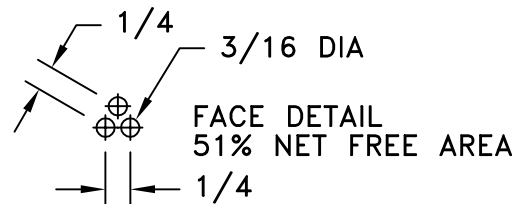


- FITS STANDARD 2' X 2' T-BAR CEILING SYSTEMS
- AVAILABLE IN 6-18 INCH COLLAR SIZES
- OPTIONAL ADJUSTABLE NO. 3800 STEEL BUTTERFLY DAMPER AVAILABLE FOR ALL SIZES
- HINGED/LATCHED FACE ALLOWS FOR EASY ACCESS TO DAMPER
- MATCHING CBPS SUPPLY AVAILABLE
- EARTHQUAKE TAB OPTION AVAILABLE AS MODEL CBPR-EQ
- FINISH: WHITE (W) ENAMEL ON FACE AND BACK



SIZE	A DIA
6	5-7/8
8	7-7/8
10	9-7/8
12	11-7/8
14	13-7/8
16	15-7/8



JOB NAME: _____	SUBMITTED BY: _____	DATE: 12/11/06	SD-9420
LOCATION: _____		<b>CBPR RETURN</b> Steel Removable Face Perforated Grille	
ARCHITECT: _____			
ENGINEER: _____			
CONTRACTOR: _____			