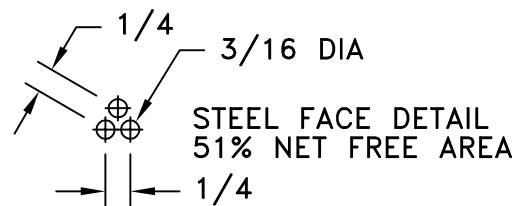
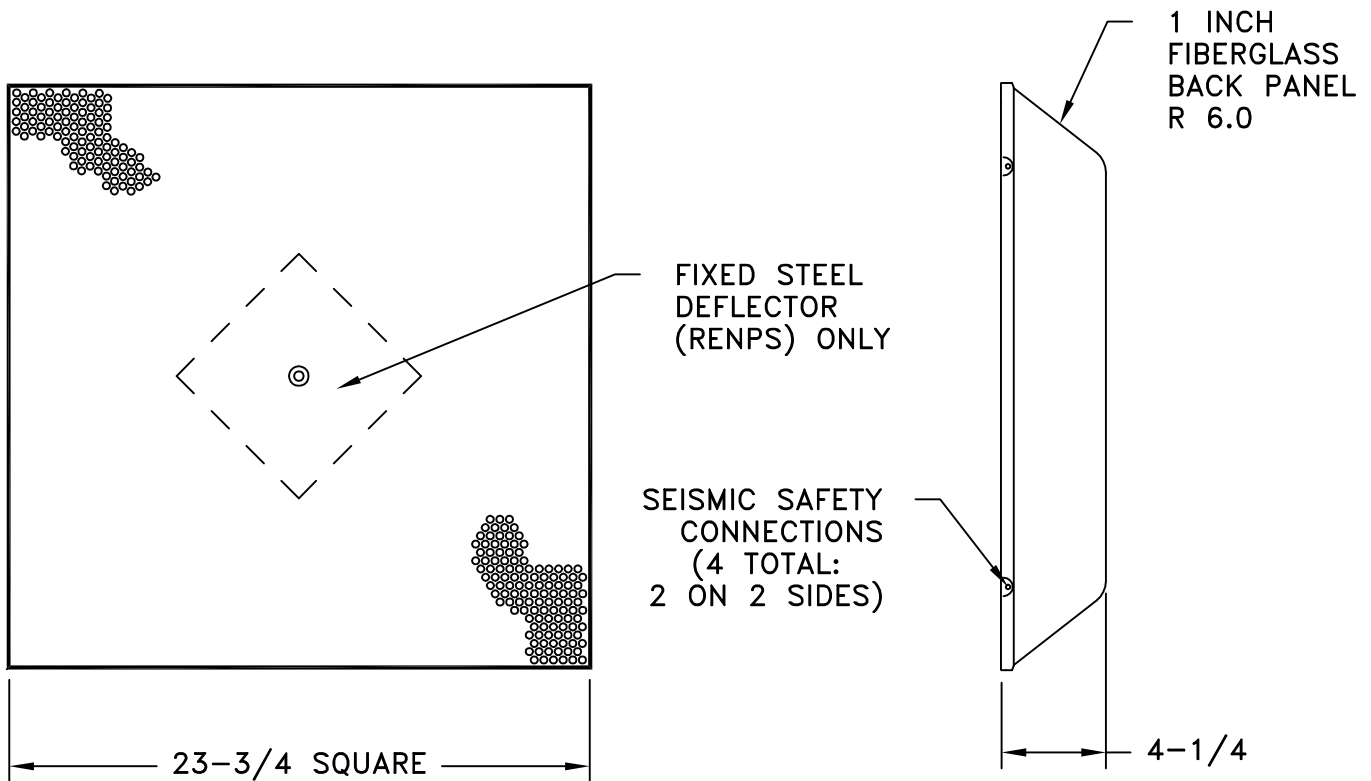


- FITS STANDARD 2' X 2' T-BAR CEILING SYSTEMS
- DIRECTIONAL DEFLECTOR INCLUDED ON MODEL RENPS
- BONDED FOIL VAPOR BARRIER HELPS MINIMIZE CONDENSATION PROBLEMS
- FIBERGLASS BACK R 6.0 ABSORBS SOUND
- PRESCORED BACK ACCEPTS 6 TO 14 INCH SPIN OR TAB COLLARS
- FINISH: WHITE (W)
- ARENPS: ALUMINUM PERFORATED FACE



JOB NAME: _____	SUBMITTED BY: _____	DATE: 1/14/09	SD-9487
LOCATION: _____		REN, (A) RENPS- R6	
ARCHITECT: _____		Perforated T-Bar Diffusers	
ENGINEER: _____		Fiberglass Back	
CONTRACTOR: _____			