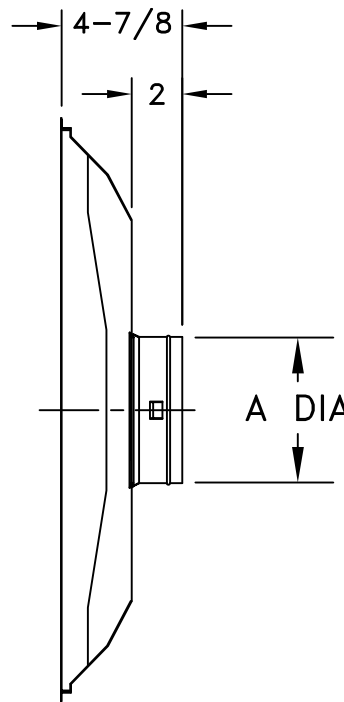
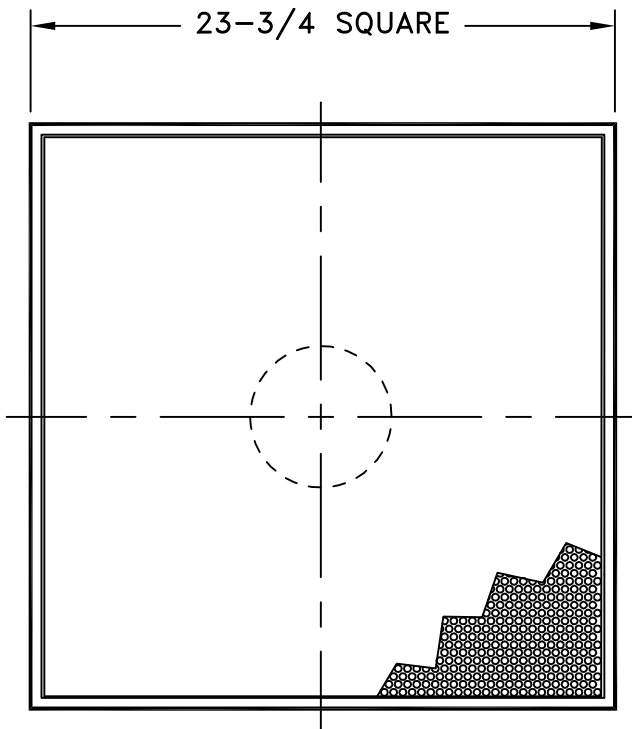
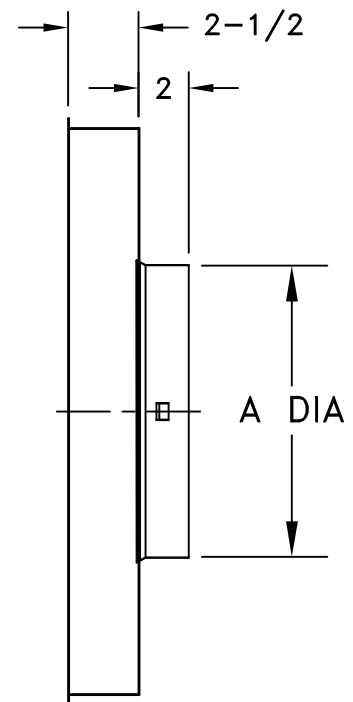


- FITS STANDARD 2' X 2' T-BAR CEILING SYSTEMS
- AVAILABLE IN 6-18 INCH COLLAR SIZES
- OPTIONAL ADJUSTABLE NO. 3800 STEEL BUTTERFLY DAMPER AVAILABLE FOR ALL SIZES
- HINGED/LATCHED FACE ALLOWS FOR EASY ACCESS TO DAMPER
- MATCHING ACBPS SUPPLY AVAILABLE
- CONSTRUCTION: FACE IS ALUM; BACK PANEL/COLLAR ARE STEEL
- FINISH: WHITE (W) ENAMEL ON FACE AND BACK

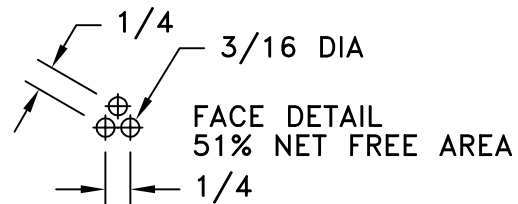


6-14  
NECK SIZE



16  
NECK SIZE

SIZE	A DIA
6	5-7/8
8	7-7/8
10	9-7/8
12	11-7/8
14	13-7/8
16	15-7/8



JOB NAME: _____	SUBMITTED BY: _____	DATE: 02/04/08	SD-9422
LOCATION: _____		<b>ACBPR RETURN</b>	
ARCHITECT: _____		Aluminum Removable Face	
ENGINEER: _____		Perforated Grille	
CONTRACTOR: _____			