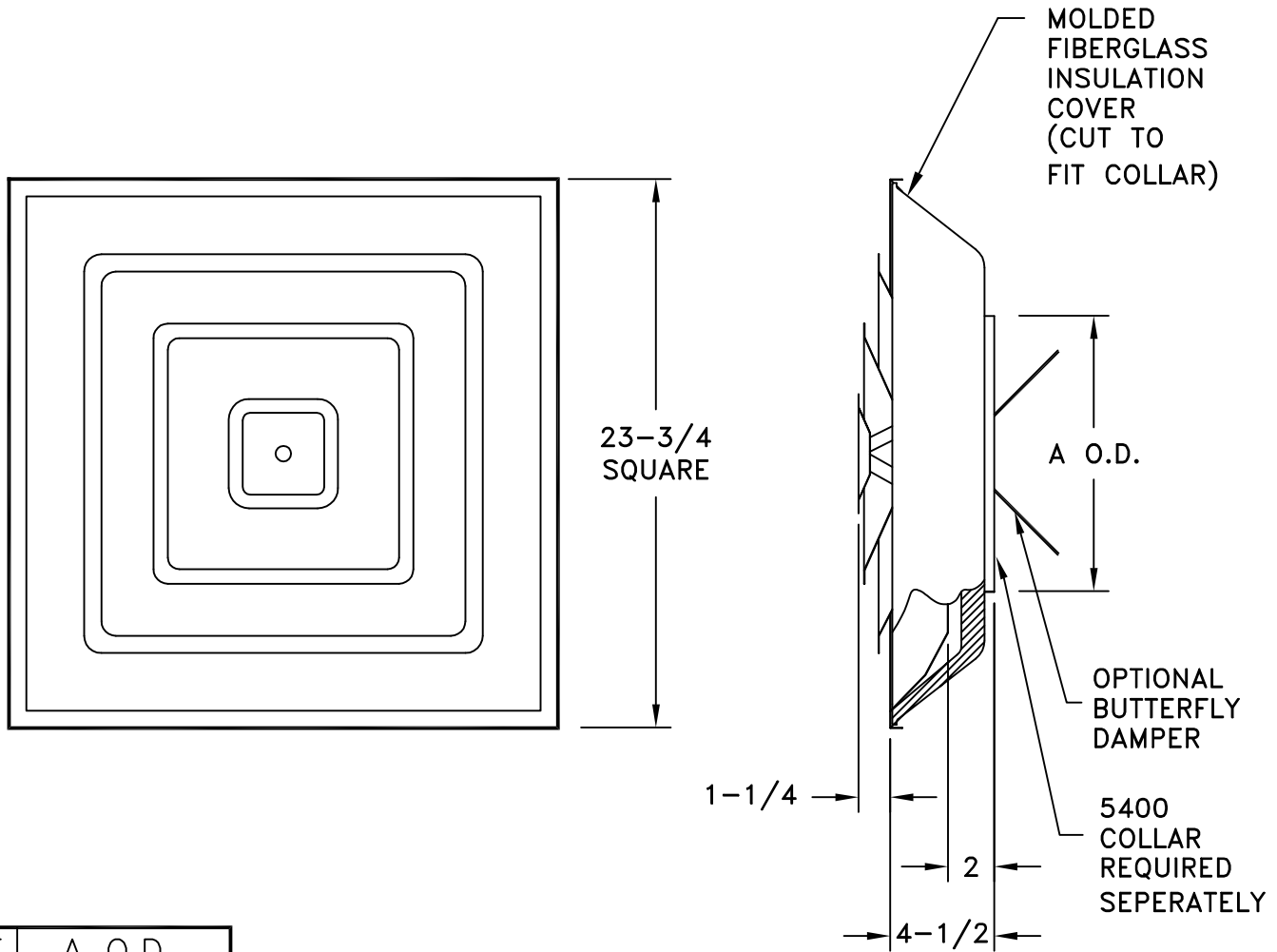


- ALL STEEL CONSTRUCTION
- FITS STANDARD 2' X 2' T-BAR CEILING SYSTEMS
- OPTIONAL 6-12 INCH NO. 5400 SERIES COLLARS
- OPTIONAL NO. 3800 STEEL BUTTERFLY DAMPER
- 360° PATTERN FOR HIGH AIR VOLUME DELIVERY
- FINISH: WHITE (W) ENAMEL



SIZE	A O.D.
6	5-7/8
8	7-7/8
10	9-7/8
12	11-7/8

JOB NAME: _____	SUBMITTED BY: _____	DATE: 2/6/06	SD-9441
LOCATION: _____	HVS R6 Steel High Volume Ceiling Diffuser		
ARCHITECT: _____			
ENGINEER: _____			
CONTRACTOR: _____			