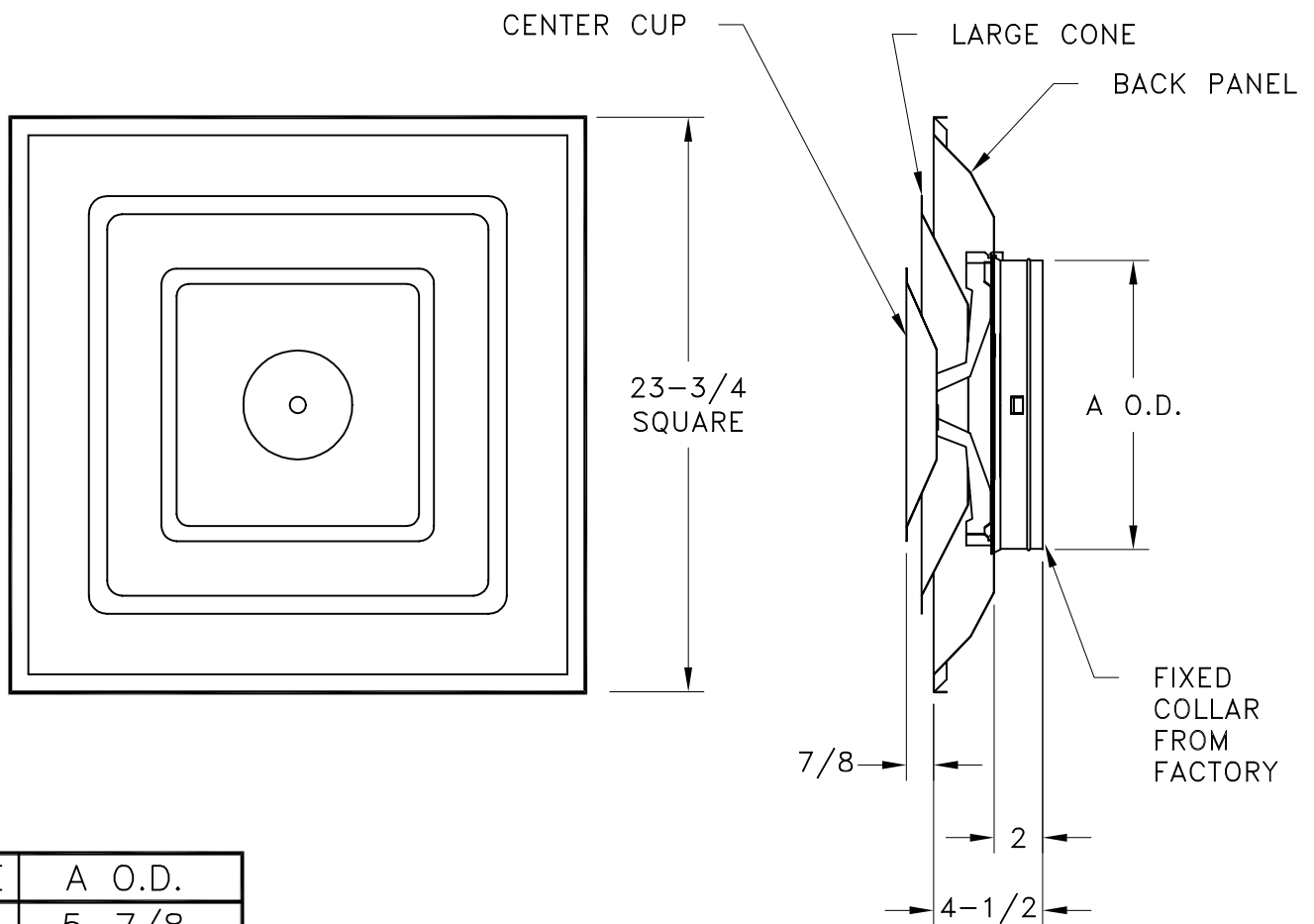


- ALL STEEL CONSTRUCTION (ALUMINUM OPTION—AFPD)
- FITS STANDARD 2' X 2' T-BAR CEILING SYSTEMS
- AVAILABLE IN 6–14 INCH COLLAR SIZES
- OPTIONAL NO. 3800 STEEL BUTTERFLY DAMPER, ADJUSTABLE THROUGH THE FACE
- 360° PATTERN FOR HIGH AIR VOLUME DELIVERY
- FINISH: WHITE (W) ENAMEL



SIZE	A O.D.
6	5-7/8
8	7-7/8
10	9-7/8
12	11-7/8
14	13-7/8

JOB NAME: _____	SUBMITTED BY: _____	DATE: 5/31/01	SD-9434
LOCATION: _____		FPD/AFP Steel/Aluminum Fixed Pattern Diffuser	
ARCHITECT: _____			
ENGINEER: _____			
CONTRACTOR: _____			