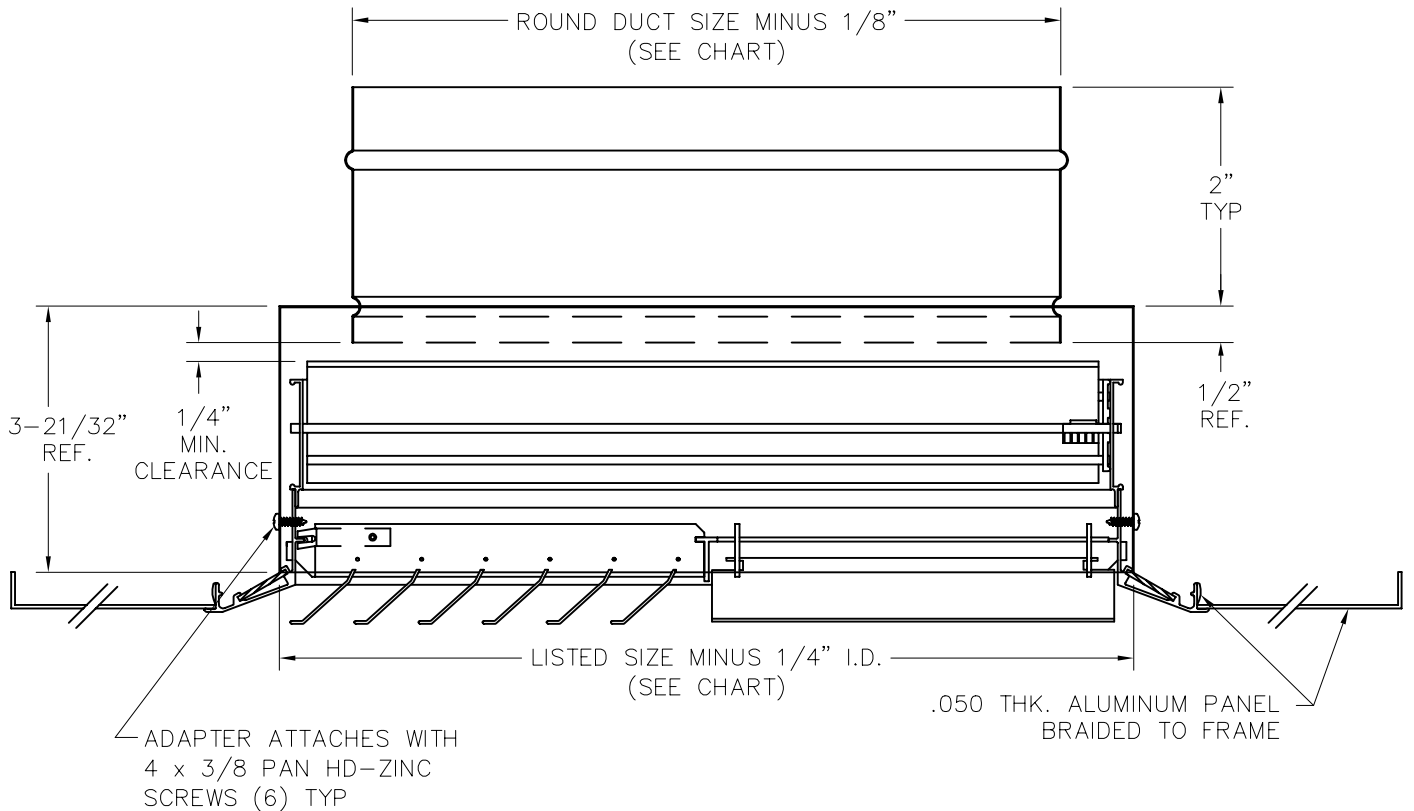


- MODULAR CORES PROVIDE FOUR-WAY, THREE-WAY, TWO-WAY OR ONE WAY HORIZONTAL AIR PATTERNS
- REMOVABLE MODULES PROVIDE EASY ACCESS TO ACCESSORIES
- SIZES 6" x 6" THRU 20" x 20" MODULAR DIFFUSER, w/DAMPER AND SQUARE TO ROUND ADAPTERS MOUNTING INTO A 24" x 24" PANEL
- EXTRUDED ALUMINUM CONSTRUCTION, BAKED WHITE ENAMEL FINISH, ADAPTERS ARE GALVANIZED STEEL
- IT IS RECOMMENDED THAT DIFFUSERS OR PANELS INSTALLED IN GRID CEILING BE SUPPORTED INDEPENDENT OF THE CEILING HARDWARE



SIZE CHART	
LISTED SIZE WIDTH x HEIGHT	ROUND DUCT DIAMETER SIZE
6" x 6"	6"
8" x 8"	6"
10" x 10"	8"
12" x 12"	10"
14" x 14"	12"
16" x 16"	14"
18" x 18"	16"
20" x 20"	18"

JOB NAME: _____	SUBMITTED BY: _____	DATE: 11/14/00	SD-9447
LOCATION: _____	MCDSD-TSR TRANSITION SPECIAL ROUND ADAPTER WITH OBD DAMPER		
ARCHITECT: _____			
ENGINEER: _____			
CONTRACTOR: _____			