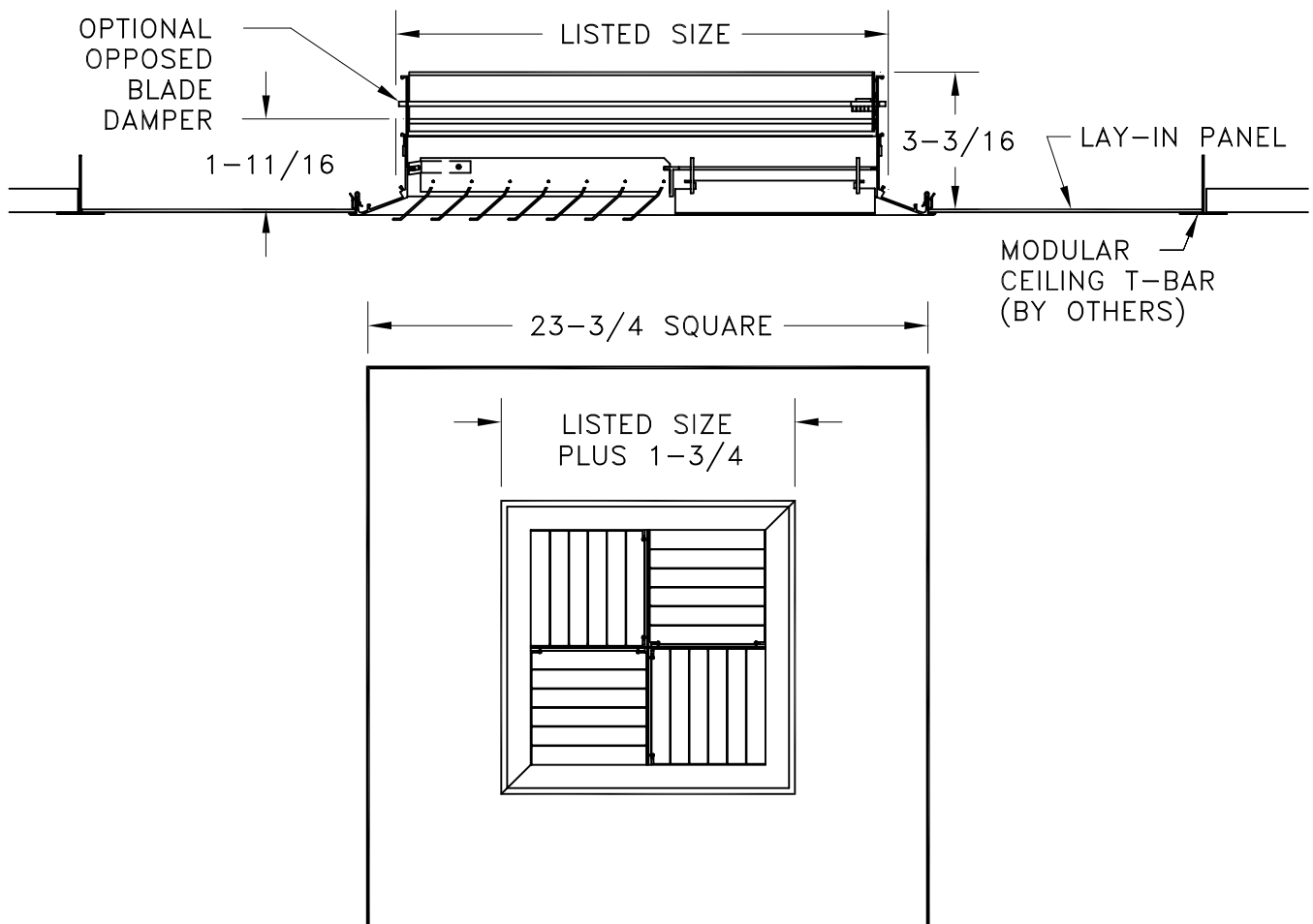
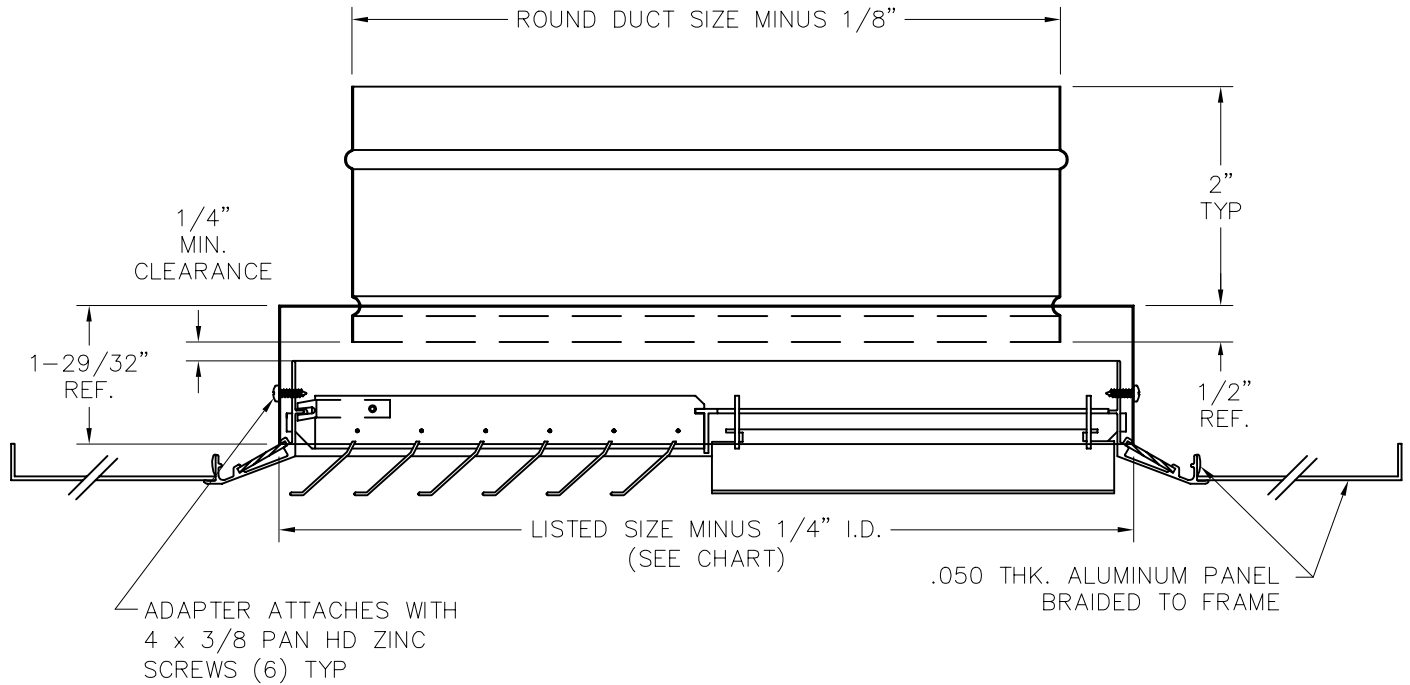


- EXTRUDED ALUMINUM CONSTRUCTION
- MODULAR CORES PROVIDE FOUR-WAY, THREE-WAY, TWO-WAY OR ONE-WAY HORIZONTAL AIR PATTERNS
- REMOVABLE MODULES PROVIDE EASY ACCESS TO ACCESSORIES
- OPTIONAL ALUMINUM OPPOSED BLADE DAMPER AVAILABLE, SPECIFY AS MCDSD-T
- MINIMUM LISTED SIZE: 6 x 6 IN PANEL
- MAXIMUM LISTED SIZE: 20 x 20 IN PANEL
- IN 2 INCH INCREMENTS, SQUARE SIZES
- 10 x 10 INCH MCDS DIFFUSER WITHOUT PANEL FITS 12 x 12 INCH CEILING OPENING
- 22 x 22 INCH MCDS DIFFUSER WITHOUT PANEL FITS 24 x 24 INCH CEILING OPENING
- IT IS RECOMMENDED THAT DIFFUSERS OR PANELS INSTALLED IN GRID CEILING SYSTEMS BE SUPPORTED INDEPENDENT OF THE CEILING HARDWARE
- FINISH: WHITE (W) ENAMEL



JOB NAME: _____	SUBMITTED BY: _____	DATE: 5/19/00	SD-9445
LOCATION: _____		MCDS-T, MCDSD-T	
ARCHITECT: _____		Adjustable Quadrant	
ENGINEER: _____		Aluminum Diffuser	
CONTRACTOR: _____		Recessed Panel	

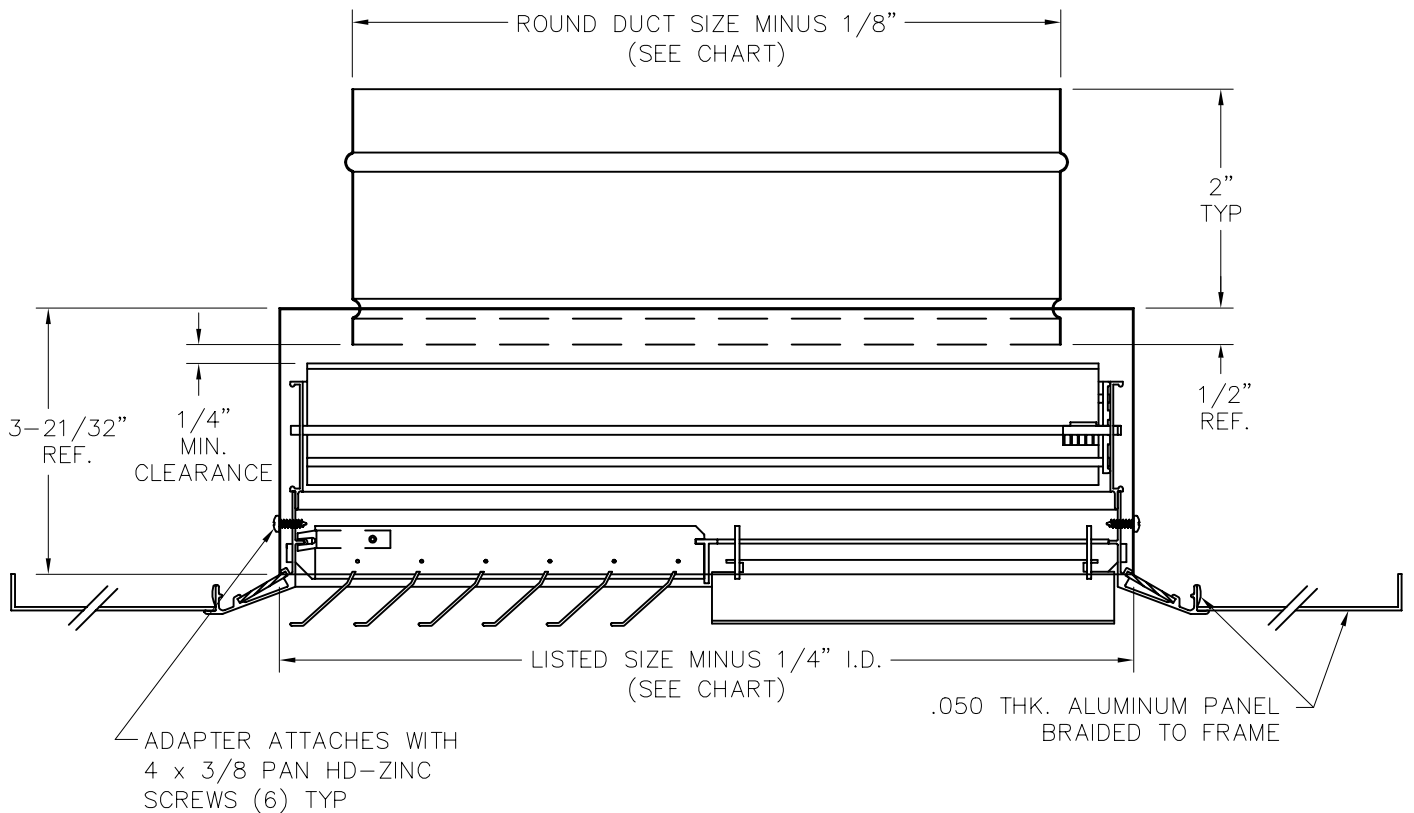
- MODULAR CORES PROVIDE FOUR-WAY, THREE-WAY, TWO-WAY OR ONE WAY HORIZONTAL AIR PATTERNS
- REMOVABLE MODULES PROVIDE EASY ACCESS TO ACCESSORIES
- SIZES 6" x 6" THRU 20" x 20" MODULAR DIFFUSER, w/DAMPER AND SQUARE TO ROUND ADAPTERS MOUNTING INTO A 24" x 24" PANEL
- EXTRUDED ALUMINUM CONSTRUCTION, BAKED WHITE ENAMEL FINISH, ADAPTERS ARE GALVANIZED STEEL
- IT IS RECOMMENDED THAT DIFFUSERS OR PANELS INSTALLED IN GRID CEILING BE SUPPORTED INDEPENDENT OF THE CEILING HARDWARE



SIZE CHART	
LISTED SIZE WIDTH x HEIGHT	ROUND DUCT DIAMETER SIZE
6" x 6"	6"
8" x 8"	6"
10" x 10"	8"
12" x 12"	10"
14" x 14"	12"
16" x 16"	14"
18" x 18"	16"
20" x 20"	18"

JOB NAME: _____	SUBMITTED BY: _____	DATE: 11/14/00	SD-9446
LOCATION: _____	MCDS-TSR TRANSITION SPECIAL ROUND ADAPTER W/O DAMPER		
ARCHITECT: _____			
ENGINEER: _____			
CONTRACTOR: _____			

- MODULAR CORES PROVIDE FOUR-WAY, THREE-WAY, TWO-WAY OR ONE WAY HORIZONTAL AIR PATTERNS
- REMOVABLE MODULES PROVIDE EASY ACCESS TO ACCESSORIES
- SIZES 6" x 6" THRU 20" x 20" MODULAR DIFFUSER, w/DAMPER AND SQUARE TO ROUND ADAPTERS MOUNTING INTO A 24" x 24" PANEL
- EXTRUDED ALUMINUM CONSTRUCTION, BAKED WHITE ENAMEL FINISH, ADAPTERS ARE GALVANIZED STEEL
- IT IS RECOMMENDED THAT DIFFUSERS OR PANELS INSTALLED IN GRID CEILING BE SUPPORTED INDEPENDENT OF THE CEILING HARDWARE



SIZE CHART	
LISTED SIZE WIDTH x HEIGHT	ROUND DUCT DIAMETER SIZE
6" x 6"	6"
8" x 8"	6"
10" x 10"	8"
12" x 12"	10"
14" x 14"	12"
16" x 16"	14"
18" x 18"	16"
20" x 20"	18"

JOB NAME: _____	SUBMITTED BY: _____	DATE: 11/14/00	SD-9447
LOCATION: _____	MCDSD-TSR TRANSITION SPECIAL ROUND ADAPTER WITH OBD DAMPER		
ARCHITECT: _____			
ENGINEER: _____			
CONTRACTOR: _____			