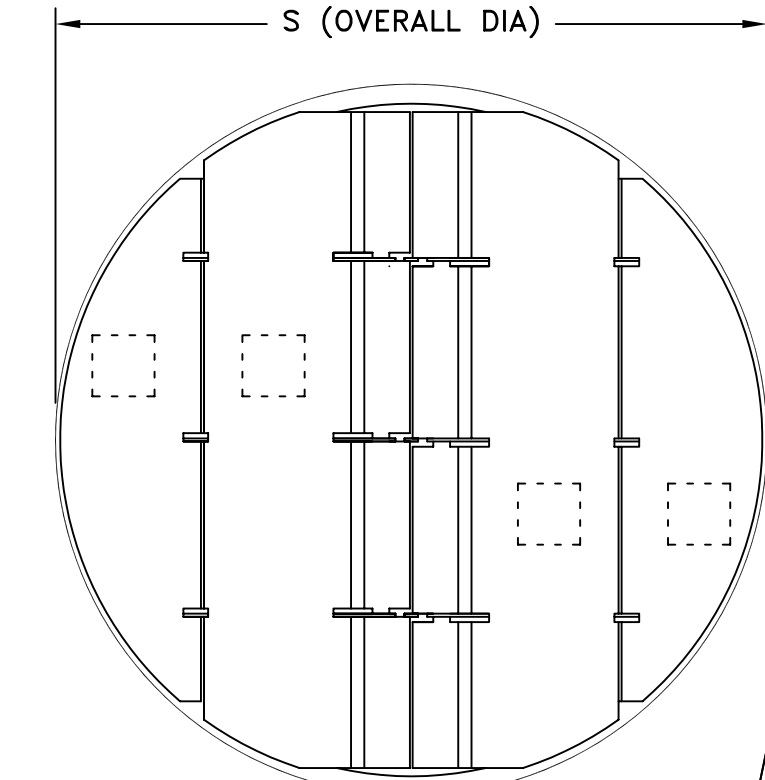
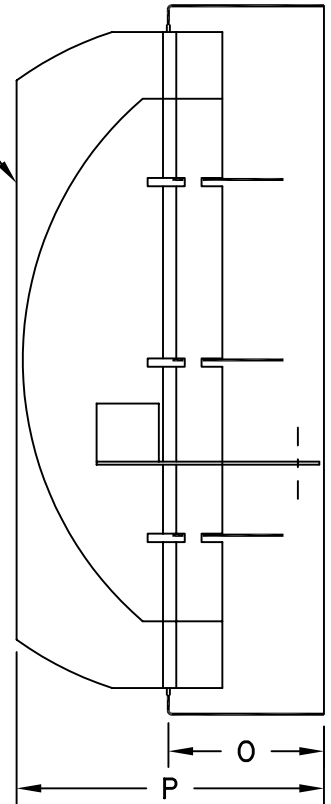


- STEEL CONSTRUCTION .035 THICK
- OPPOSED BLADE OPERATION
- AVAILABLE IN 6 – 14 INCH DIAMETERS
- FINISH: WHITE (W) ENAMEL

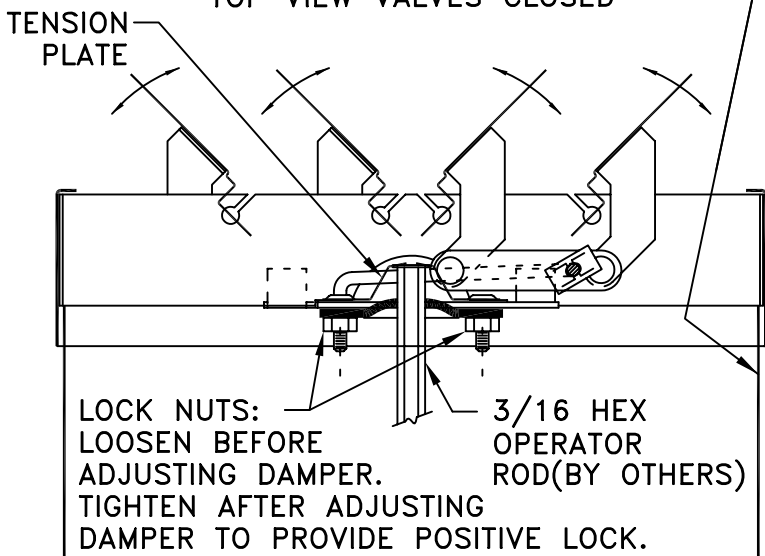


TOP VIEW VALVES CLOSED

OPPOSED
BLADE
DAMPER
VALVES
FULLY
OPEN



T-19 STRAP
FOR MOUNTING
IN NO. 3800
DUCT COLLAR



IF OPERATOR IS TO BE REMOVED AFTER
SETTING DAMPER, DO NOT DRIVE INTO
TENSION PLATE AS THIS LOCKS ROD IN
PLACE FOR PERMANENT INSTALLATION

LOCK NUTS:
LOOSEN BEFORE
ADJUSTING DAMPER.
TIGHTEN AFTER ADJUSTING
DAMPER TO PROVIDE POSITIVE LOCK.

3/16 HEX
OPERATOR
ROD (BY OTHERS)

CROSS SECTION WITH VALVES PARTLY OPEN
SHOWING OPPOSED BLADE OPERATION

SIZE	S	O	P
6	5-15/16	1-3/4	3
8	7-15/16	1-3/4	3-1/2
10	9-15/16	1-3/4	4-9/16
12	11-15/16	1-3/4	4-9/16
14	13-15/16	1-3/4	4-9/16
15	14-15/16	1-3/4	4-9/16
16	15-15/16	1-3/4	4-9/16
18	17-15/16	1-3/4	4-9/16

JOB NAME: _____	SUBMITTED BY: _____	DATE: 4/15/04	SD-9505
LOCATION: _____		T-19 Steel Opposed Blade Volume Damper For Round Neck T-Bar Diffuser	
ARCHITECT: _____			
ENGINEER: _____			
CONTRACTOR: _____			